

ILLUSTRATED PARTS BREAKDOWN

RA81 DISK DRIVE

HOW TO USE THE IPB

GENERAL

This IPB is compiled following the organization and nomenclature of the engineering drawing structure.

MAJOR ASSEMBLY LOCATOR

The Major Assembly Locator (first illustration) is an index that provides a description and a figure reference for all illustrations used in this manual.

INDENTED PARTS LIST

This manual identifies each assembly being broken down (figure reference callout), and all parts of that assembly. Further breakdown of an assembly is shown by an asterisk (*) preceding the item callouts in the Description Column. The number of asterisks preceding an item is used to denote the subordination of that item with respect to the Major Assembly. A single asterisk preceding an item description indicates that the item is part of the major assembly being illustrated. Items that are subordinate to single asterisks items, are denoted by two asterisks (**) and immediately follow the related single asterisk item. Additional asterisks are used, as required, to denote further subordination. This system of part identification, provides a means for the user to identify the next higher assembly item and make alternate selections for parts when the required replacement part or assembly is not immediately available.

COLUMN CALLOUT DESCRIPTION

Figure & Item — Indicates the figure number and item number of each part.

Description — Lists the name of the part and pertinent specifications (when required). Asterisks preceding the description denote the subordination of the part to the next higher assembly.

DEC Part No. — Lists the DEC part ordering number. A blank in this column indicates a DEC part number was not assigned at the time of publication.

ECO Cut-In — The notation at the top of this column indicates the ECO level of the system (option), at which the IPB was initially prepared. Subsequent ECO level designations, that modify existing parts or add new parts to the device, are inserted in the ECO Cut-In column next to the part that is added or modified. A bracket ([]) preceding the item description is used to indicate the parts affected by ECO's.

Vendor Code/Part No. — Indicates vendor parts that are not stocked by DEC. Refer to the Field Service Spares Catalog (vendor part number to DEC part number) for the vendor code cross-reference.

Used On Code — Letters in this column correspond to the variation codes assigned in Figure 1. Parts with an Alpha notation(s) are used only in those option variations. A blank indicates that the part is used on all option variations.

Ref Fig No. — A cross reference between illustrations. For each Major Assembly, the number in this column denotes the figure of the next higher assembly. For all subassemblies, the number in this column denotes the figure showing additional detailed breakdown.

SYMBOL USAGE

Hardware Designators — Alpha designators for screws (S), washers (W), nuts (N), and retaining rings (R) are inserted after the item number callouts on the illustration when stacked item numbers are used.

Attaching Hardware — The @ symbol is inserted before any part that is used as attaching hardware. Attaching hardware is denoted as those parts that are not an integral part of the referenced assembly.

(NFR) Not Field Repairable — The (NFR) symbol is inserted after any assembly that is not to be field dismantled.

Other Symbols — Any other symbols that are required for kits, accessories, etc., will be explained and appear as part of the item description.

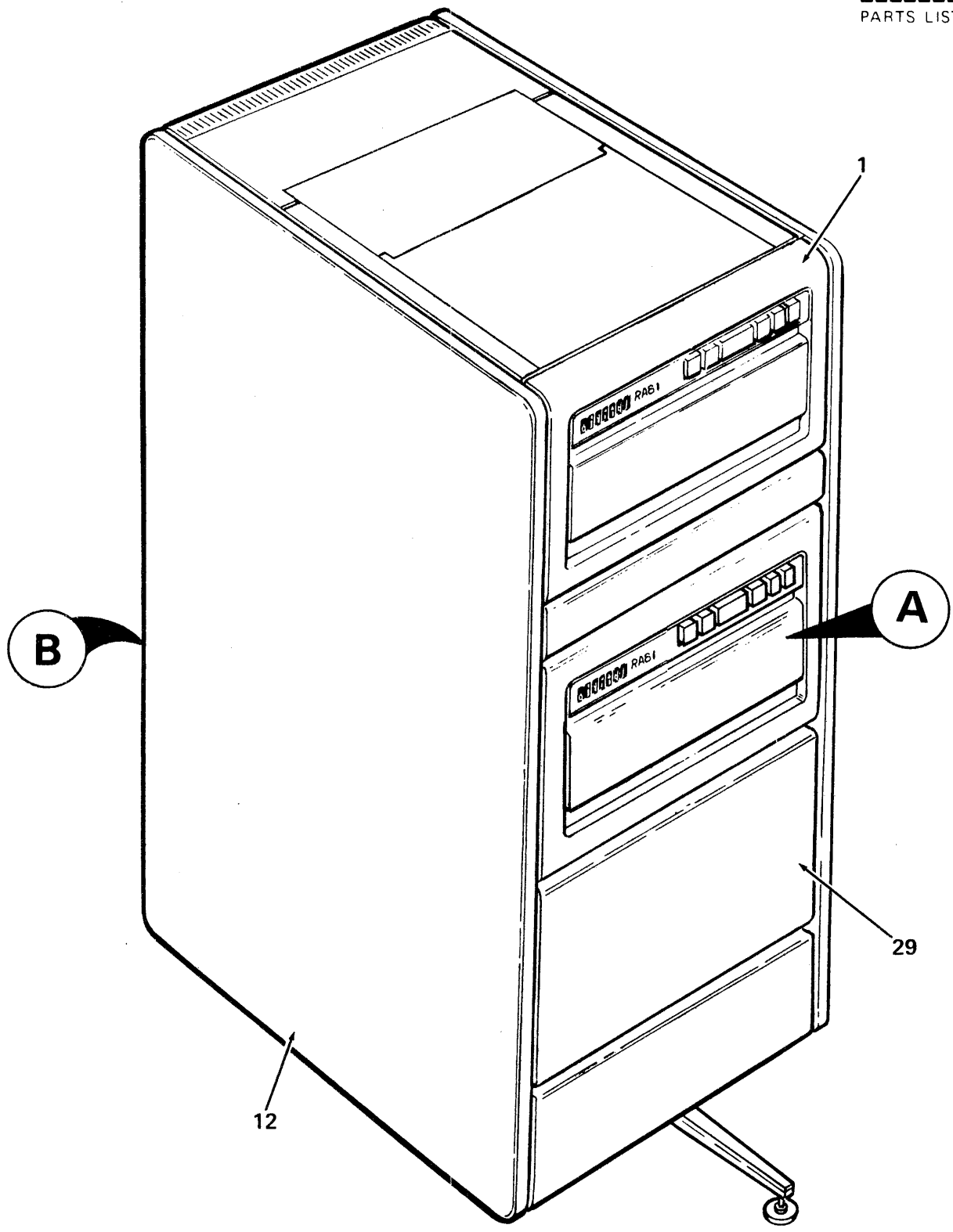
| REVISION HISTORY | | | | | DATE | OTHER IPB MANUALS REQUIRED TO SUPPORT THIS OPTION |
|------------------|-----------|----------------|----------|----------------|---------|---|
| PRINTING | ECO LEVEL | | | | | |
| 1st Printing | RA81 | 00002-00002 | 70-16723 | 00003-00003 | 8-26-83 | EK-H7660-IP EK-00874-IP |
| | 70-19062 | RA81-00002 | H9544-H | 00003-00003 | | |
| | 70-18446 | 00006-00006 | H9544-C | 00007-00007 | | |
| | 70-19044 | 70-19062-00002 | H9544-B | 00006-00006 | | |
| | H9642-A | 00002-00002 | H9544-DA | 00005-00005 | | |
| | H9504-U | 74-15314-00002 | H9544-DB | 00005-00005 | | |
| | 70-16741 | R80-00014 | H9544-A | 00005-00005 | | |
| | 70-16773 | R80-00014 | 70-16980 | R80-00004 | | |
| | 70-19687 | 00001-00001 | 70-18331 | 70-19062-00002 | | |
| | 70-19695 | 00005-00005 | 70-16733 | 00005-00005 | | |
| | 70-17340 | R80-00014 | | | | |
| | 70-18324 | 00000-00000 | | | | |
| | 70-19045 | 00001-00001 | | | | |
| | 70-19046 | 00000-00000 | | | | |
| | 70-16724 | 00002-00002 | | | | |

Copyright © 1983 by Digital Equipment Corporation. All rights reserved.

DEC reserves the right, without notice, to make substitutions and modifications in the specifications of products documented in this manual and further reserves the right to withdraw any of these products from the market without notice.

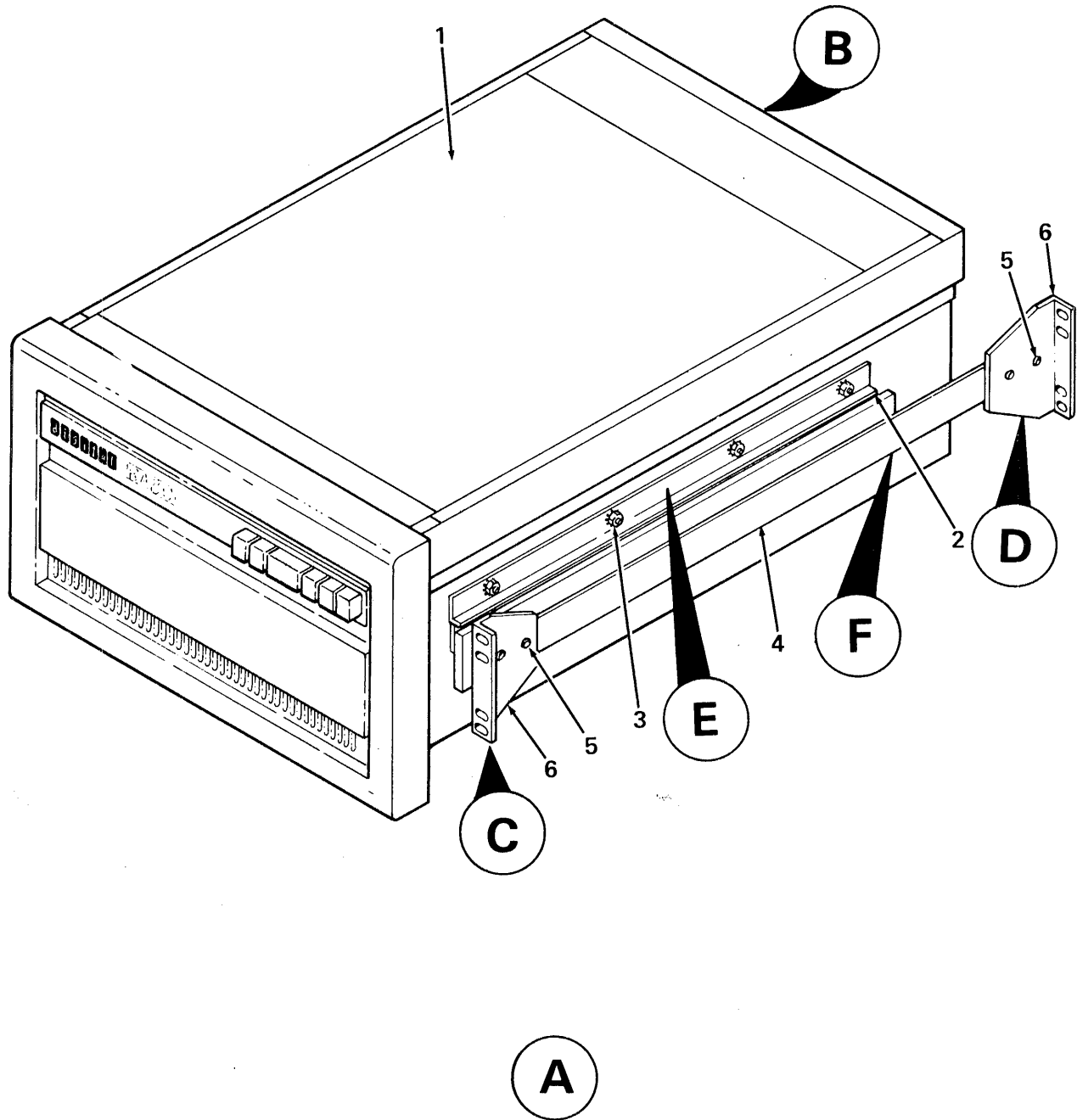
DEC is not responsible for errors which may appear in the technical description (including illustrations and photographs) of the products covered by this manual.

None of the descriptions contained in this manual imply the granting of any license whatsoever to make, use or sell equipment constructed in accordance therewith.



RA81-01

Figure 1. RA81 Disk Drive Assembly (Sheet 1 of 5)



RA81-01A

Figure 1. RA81 Disk Drive Assembly (Sheet 2 of 5)

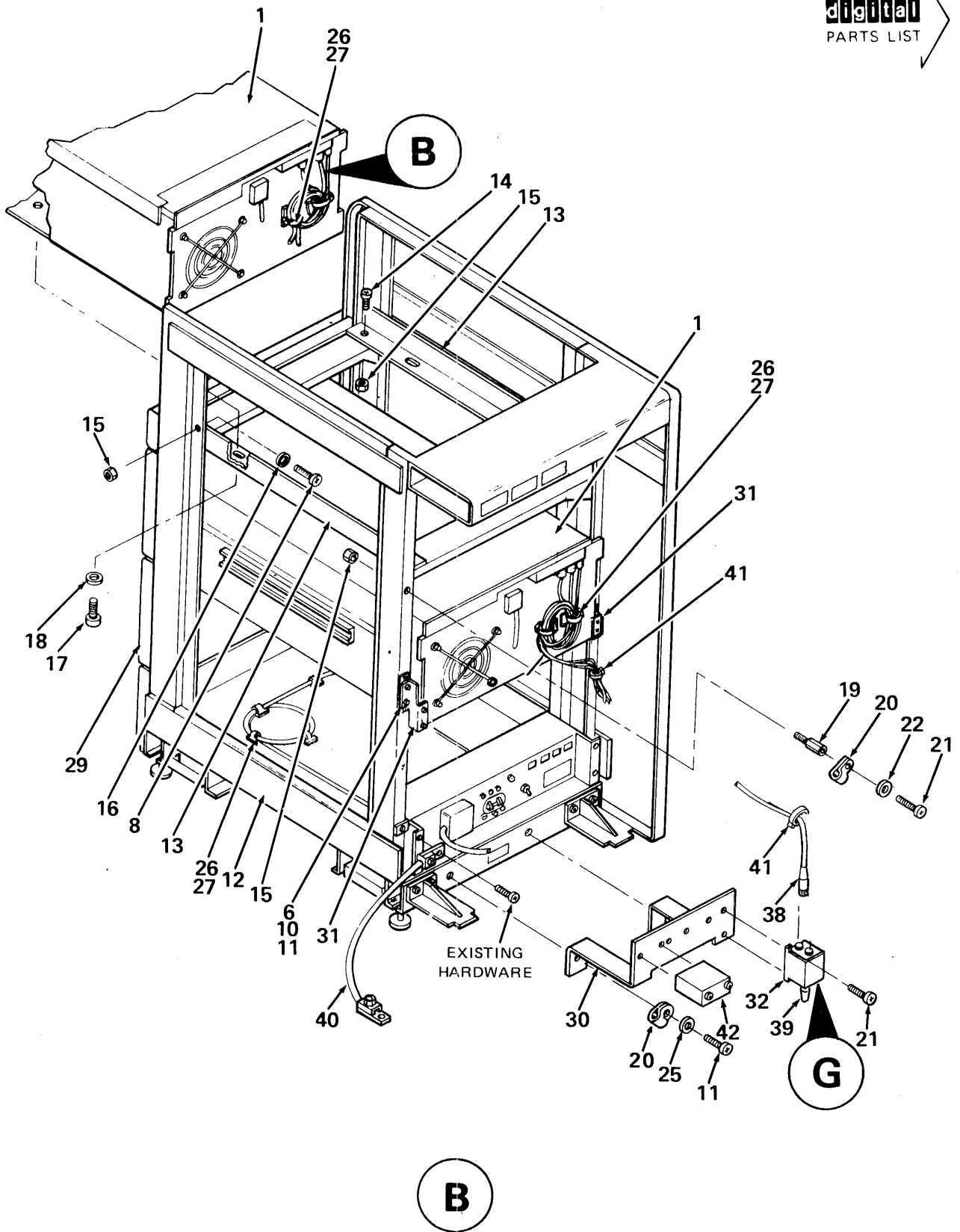


Figure 1. RA81 Disk Drive Assembly (Sheet 3 of 5)

RA81-01B

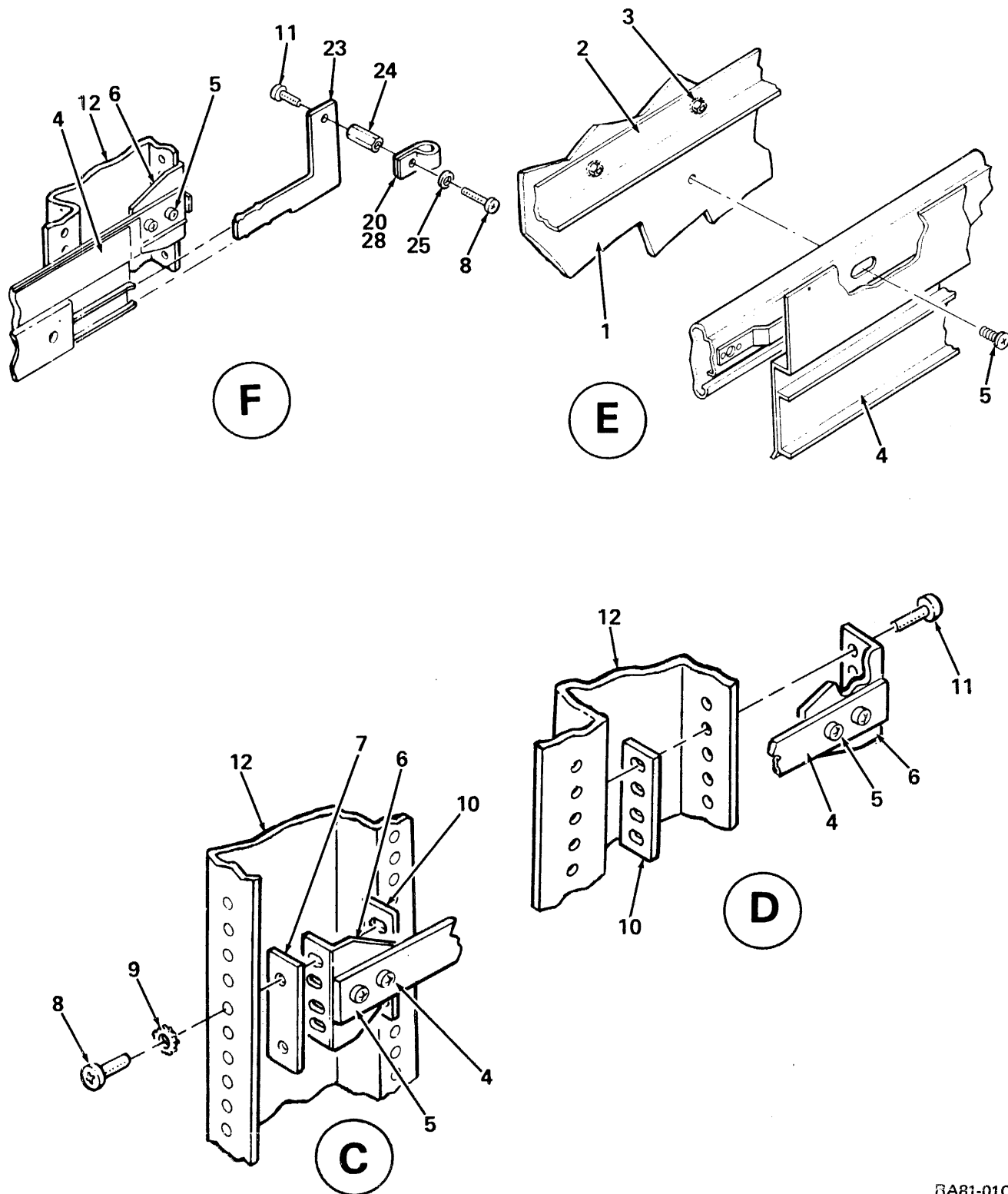
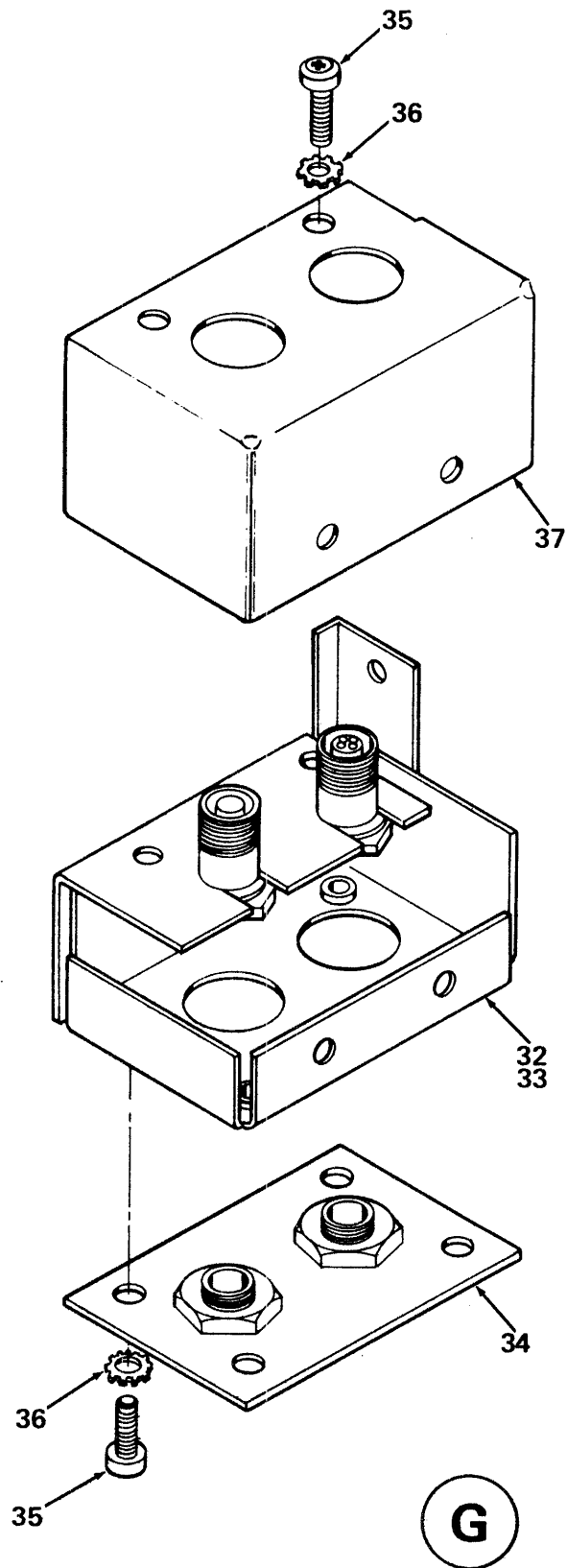


Figure 1. RA81 Disk Drive Assembly (Sheet 4 of 5)

RA81-01C



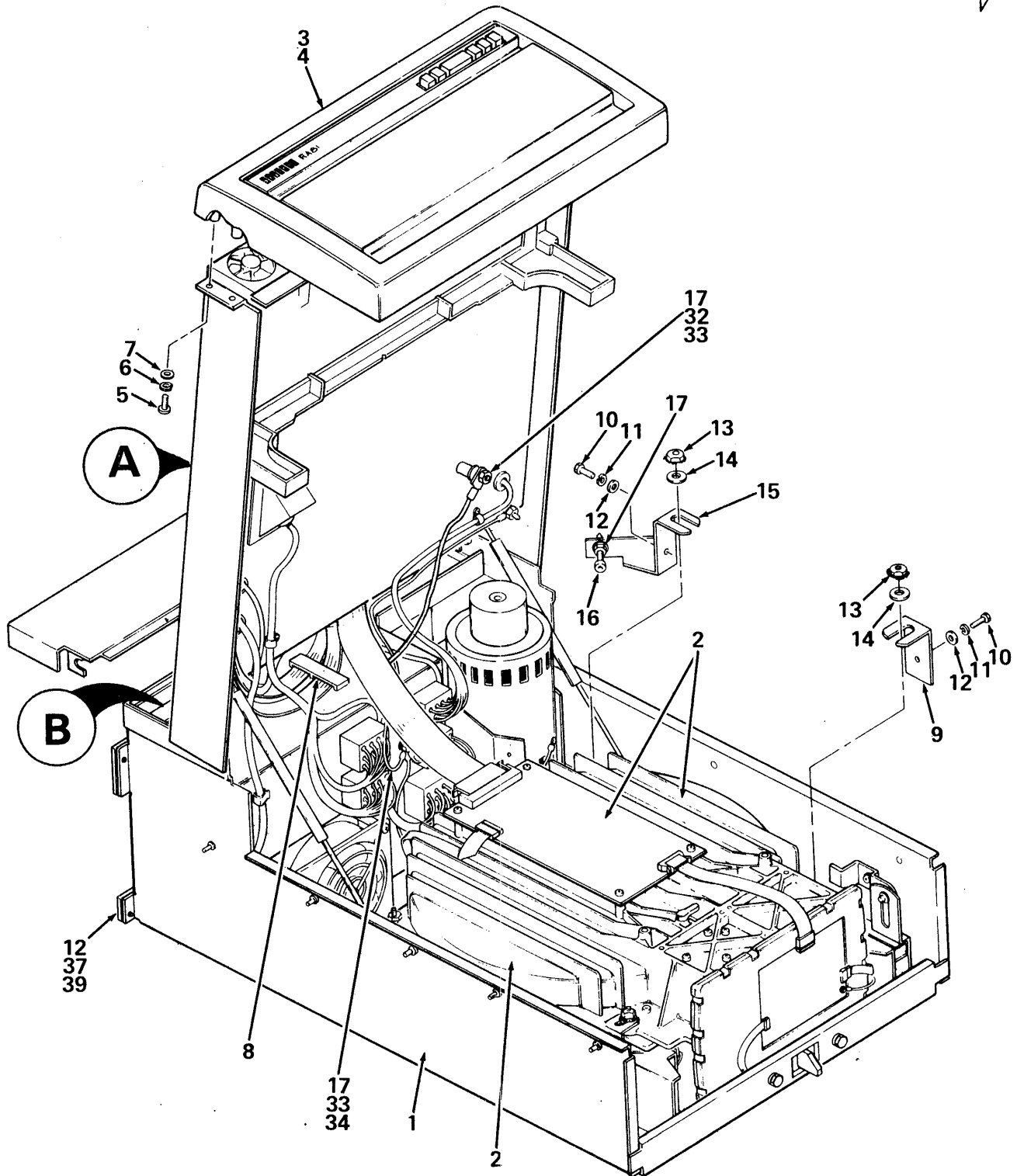
RA81-01D

Figure 1. RA81 Disk Drive Assembly (Sheet 5 of 5)

| FIG. & ITEM NO. | DESCRIPTION | DEC PART NO. | ECO CUT-IN RA81 00002 | USED ON CODE | REF FIG NO. |
|-----------------|---|--------------|-----------------------|----------------------|-------------|
| 1- | RA81 DISK DRIVE ASSEMBLY | | | | |
| | Code A – Used on Model RA81-AA 16 BIT 120V 60 Hz (RACK MOUNT) | RA81-AA | | A | |
| | Code B – Used on Model RA81-AD 16 BIT 240V 50 Hz (RACK MOUNT) | RA81-AD | | B | |
| | Code C – Used on Model RA81-AE 18 BIT 120V 60 Hz (RACK MOUNT) | RA81-AE | | C | |
| | Code D – Used on Model RA81-AJ 18 BIT 240V 50 Hz (RACK MOUNT) | RA81-AJ | | D | |
| | Code E – Used on Model RA81-CA 16 BIT 120V 60 Hz (IN H9642 CAB) | RA81-CA | | E | |
| | Code F – Used on Model RA81-CD 16 BIT 240V 50 Hz (IN H9642 CAB) | RA81-CD | | F | |
| | Code G – Used on Model RA81-CE 18 BIT 120V 60 Hz (IN H9642 CAB) | RA81-CE | | G | |
| | Code H – Used on Model RA81-CJ 18 BIT 240V 50 Hz (IN H9642 CAB) | RA81-CJ | | H | |
| | Code J – Used on Model RA81-DA 16 BIT 120V 60 Hz (IN H9642 CAB) | RA81-DA | | J | |
| | Code K – Used on Model RA81-DD 16 BIT 240V 50 Hz (IN H9642 CAB) | RA81-DD | | K | |
| | Code L – Used on Model RA81-DE 18 BIT 120V 60 Hz (IN H9642 CAB) | RA81-DE | | L | |
| | Code M – Used on Model RA81-DJ 18 BIT 240V 50 Hz (IN H9642 CAB) | RA81-DJ | | M | |
| | Code N – Used on Model RA81-EA 16 BIT 120V 60 Hz (IN H9642 CAB) | RA81-EA | | N | |
| | Code P – Used on Model RA81-ED 16 BIT 240V 50 Hz (IN H9642 CAB) | RA81-ED | | P | |
| | Code Q – Used on Model RA81-EE 18 BIT 120V 60 Hz (IN H9642 CAB) | RA81-EE | | Q | |
| | Code R – Used on Model RA81-EJ 18 BIT 240V 50 Hz (IN H9642 CAB) | RA81-EJ | | R | |
| 1 | *DISK DRIVE ASSEMBLY 120V 60 Hz | 70-19062-01 | | AEJN | 2 |
| | *DISK DRIVE ASSEMBLY 240V 50 Hz | 70-19062-02 | | BFKP | 2 |
| | *DISK DRIVE ASSEMBLY 120V 60 Hz | 70-19062-03 | | CGLO | 2 |
| | *DISK DRIVE ASSEMBLY 240V 50 Hz | 70-19062-04 | | DHMR | 2 |
| 2 | *Rail, Mounting | 12-13686-01 | | ABCD JKLM NPQR | |
| 3 | *Nut, Kep No. 6-32 x 5/16 | 90-06560-00 | | ABCD JKLM NPQR | |

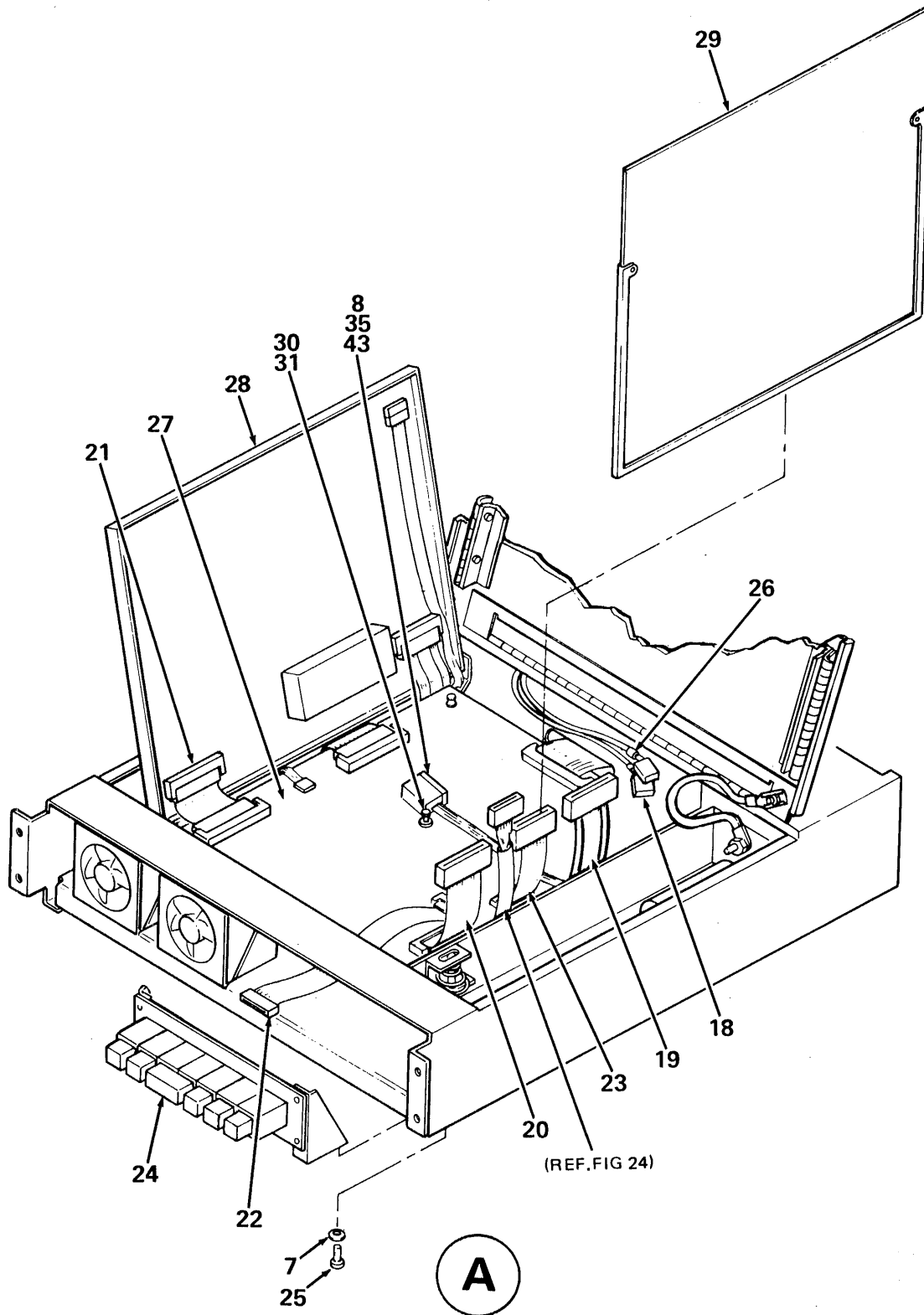
| FIG. & ITEM NO. | DESCRIPTION | DEC PART NO. | ECO CUT-IN RA81 00002 | USED ON CODE | REF FIG NO. |
|-----------------|--|--------------|-----------------------|----------------------|-------------|
| 1- | | | | | |
| 4 | *Chassis Slide | 12-13686-00 | | ABCD JKLM NPQR | |
| 5 | *Screw, Phl Pan Hd No. 8-32 x 5/16 | 90-10174-01 | | ABCD JKLM NPQR | |
| 6 | *Bracket, Chassis Slide | 74-19261-00 | | ABCD JKLM NPQR | |
| 7 | *Spacer, Slide Mount | 74-25167-01 | | ABCD JKLM NPQR | |
| 8 | *Screw, Phl Pan Hd No. 10-32 x 5/8 | 90-06074-01 | | | |
| 9 | *Washer, Ext Tooth Lock No. 10 | 90-07651-00 | | | |
| 10 | *Bar, Nut | 74-25168-01 | | ABCD JKLM NPQR | |
| 11 | *Screw, Phl Truss Hd No. 10-32 x 1/2 | 90-09700-00 | | | |
| 12 | *TOP LOADING CABINET ASSEMBLY 120V 60 Hz | H9642-AS | | EGJLNO | 5 |
| | *TOP LOADING CABINET ASSEMBLY 240V 50 Hz | H9642-AT | | FHKMPR | 5 |
| 13 | *Angle, Mounting | 74-25325-00 | | E - R | |
| 14 | *Screw, Phl Flat Hd No. 10-32 x 1/2 | 90-06073-02 | | E - R | |
| 15 | *Nut, Kep No. 10-32 x 3/8 | 90-06565-00 | | | |
| 16 | *Washer, Int Tooth Lock | 90-06636-00 | | E - R | |
| 17 | *Screw, Sems Slotted Hex Hd No. 1/4-20 x 1/2 | 90-09988-00 | | E - R | |
| 18 | *Washer, Flat | 90-06646-00 | | E - R | |
| 19 | *Standoff, Hex Male/Female No. 10-32, 6-32 x 1 | 90-00001-05 | | | |
| 20 | *Cable Clamp (11/16") | 90-07088-00 | | | |
| 21 | *Screw, Sems Phl Pan Hd No. 6-32 x 3/8 | 90-09984-00 | | | |
| 22 | *Washer, Flat | 90-06659-00 | | | |
| 23 | *Spring, Retainer Cable | 74-25326-00 | | ABCD JKLM NPQR | |
| 24 | *Spacer, Hex No. 10-32, 3/8 x 3/4 | 90-07662-00 | | ABCD JKLM NPQR | |
| 25 | *Washer, Flat | 90-06664-00 | | | |
| 26 | *Cable Tie | 90-07032-00 | | | |
| 27 | *Mount, Cable Tie | 90-08264-00 | | E - R | |
| 28 | *Cable Clamp | 90-07083-00 | | ABCD JKLM NPQR | |
| 29 | *FILLER PANEL ASSEMBLY | H9504-UA | | E-M | 6 |

| FIG. & ITEM NO. | DESCRIPTION | DEC PART NO. | ECO CUT-IN RA81 00002 | USED ON CODE | REF FIG NO. |
|-----------------|--|--------------|-----------------------|----------------------|-------------|
| 1- | | | | | |
| 30 | *Bulkhead Mounting Weldment Assembly | 70-20016-01 | | E - R | |
| 31 | *Bracket, ESD | 74-28330-01 | | ABCD JKLM NPQR | |
| 32 | *SEQUENCE BOX ASSEMBLY | 70-19713-01 | | E - R | |
| 33 | **Sequence Box Weldment Assembly | 70-20017-01 | | E - R | |
| 34 | **Sequence Box Harness Assembly | 70-20019-01 | | E - R | |
| 35 | **Screw, Phl Pan Hd No. 6-32 x 3/8 | 90-06022-01 | | E - R | |
| 36 | **Washer, Ext Tooth Lock No. 6 | 90-07649-00 | | E - R | |
| 37 | **Cover, Sequence Box | 74-27510-01 | | E - R | |
| 38 | *Shielded Drive Sequence Cable Assembly | 70-19690-08 | | E - R | |
| 39 | *Plug Assembly | 70-19692-01 | | E - R | |
| 40 | *Ground Strap | 74-12827-25 | | E - R | |
| 41 | *Cable Tie | 90-09350-01 | | E - R | |
| 42 | *I/O Bulkhead Drive Module | 70-18340-02 | | | |
| 43 | *S.I. Cable Assembly (12') (Not Shown See Note.) | BC26V-12 | | | |
| | Labels/Decals (Not Shown) | | | | |
| | *Decal, "UL" | 74-16197-02 | | E - R | |
| | *Label, "Serial/Power" | 36-17674-00 | | | |
| | *Label, "Caution Stability RA81" | 36-20554-01 | | E - R | |
| | *Decal, "CSA" | 36-13211-00 | | FHKMPR | |
| | *Label, "Assy, 04, 01" | 36-18307-05 | | E - R | |
| | *Label, "FCC Class" | 36-17880-03 | | E - R | |
| | Note: Item 43 is shipped as a loose piece with unit. | | | | |



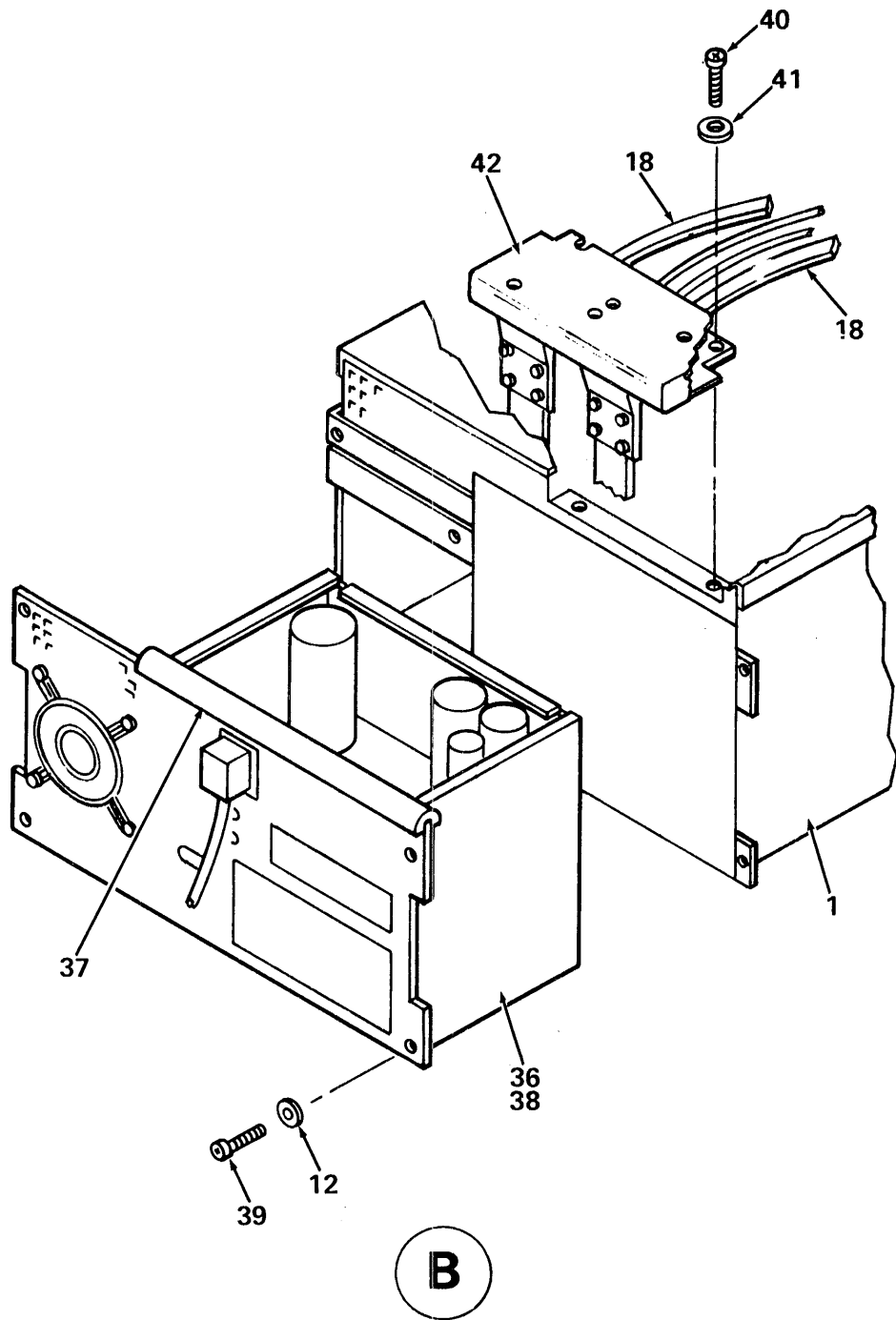
RA81-02

Figure 2. Disk Drive Assembly (Sheet 1 of 3)



RA81-02A

Figure 2. Disk Drive Assembly (Sheet 2 of 3)

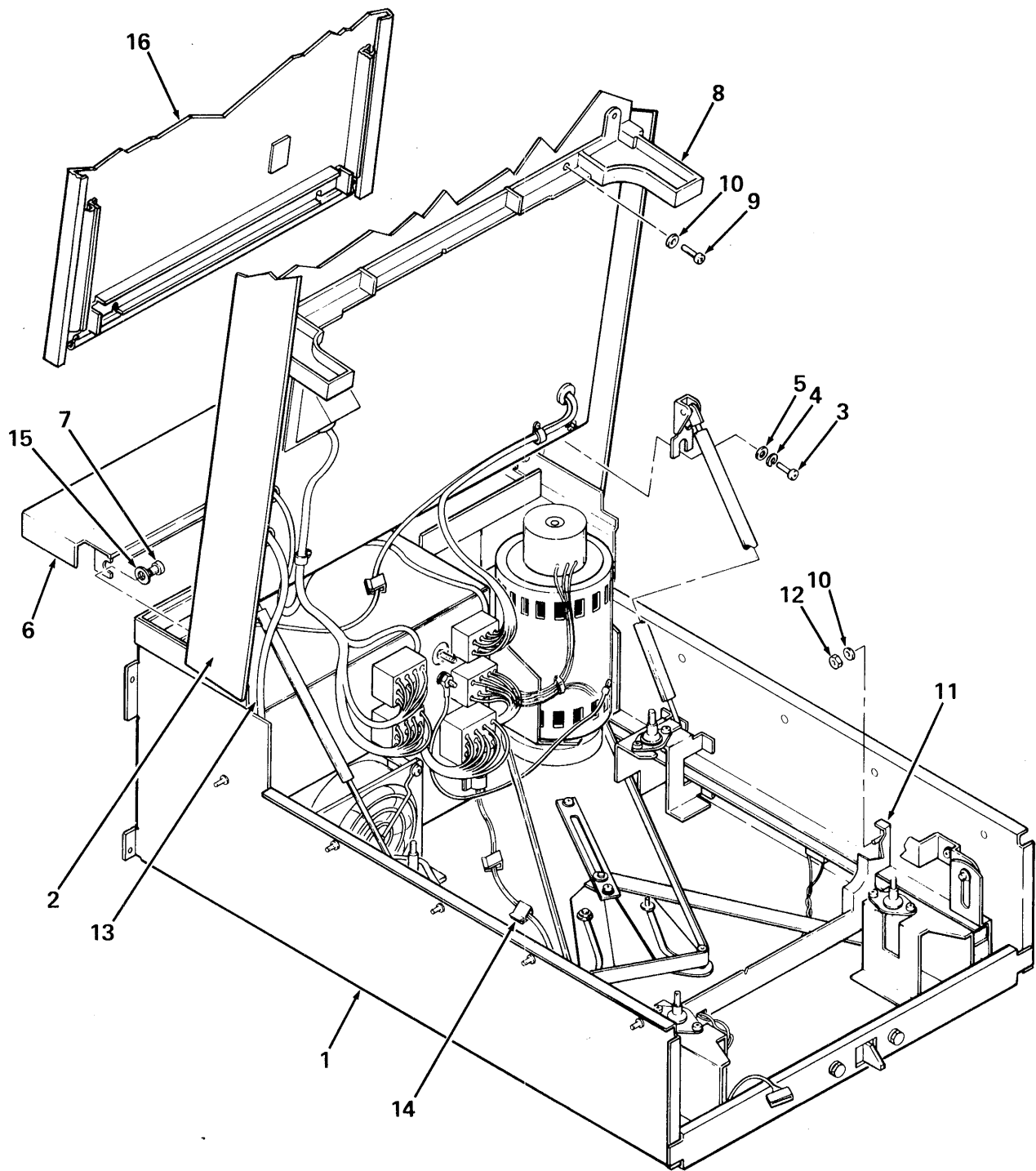


RA81-02B

Figure 2. Disk Drive Assembly (Sheet 3 of 3)

| FIG. & ITEM NO. | DESCRIPTION | DEC PART NO. | ECO CUT-IN RA81 00002 | USED ON CODE | REF FIG NO. |
|-----------------|--|--------------|-----------------------|--------------|-------------|
| 2- | DISK DRIVE ASSEMBLY 120V 60 Hz | 70-19062-01 | | AEJN | 1 |
| | DISK DRIVE ASSEMBLY 240V 50 Hz | 70-19062-02 | | BFKP | 1 |
| | DISK DRIVE ASSEMBLY 120V 60 Hz | 70-19062-03 | | CGLQ | 1 |
| | DISK DRIVE ASSEMBLY 240V 50 Hz | 70-19062-04 | | DHMR | 1 |
| 1 | *BASIC DISK DRIVE ASSEMBLY 120V 60 Hz | 70-18446-04 | | AEJN | 3 |
| | *BASIC DISK DRIVE ASSEMBLY 240V 50 Hz | 70-18446-05 | | CGLQ | 3 |
| | | | | BFKP | 3 |
| | | | | DHMR | 3 |
| 2 | *HDA-R/W MODULE ASSEMBLY (16 BIT HDA) | 70-19044-01 | | AEJN | 4 |
| | *HDA-R/W MODULE ASSEMBLY (18 BIT HDA) | 70-19044-02 | | BFKP | 4 |
| | | | | CGLQ | 4 |
| | | | | DHMR | 4 |
| 3 | *BEZEL ASSEMBLY | 70-17340-02 | | | 11 |
| 4 | *Filter, Foam | 74-22816-00 | | | |
| 5 | *Screw, Phl Pan Hd No. 6-32 x 5/16 | 90-06021-01 | | | |
| 6 | *Washer, Split Lock No. 6 | 90-07801-00 | | | |
| 7 | *Washer, Flat No. 6 | 90-06659-00 | | | |
| 8 | *Cable Clamp | 90-09636-00 | | | |
| 9 | *Bracket, Shipping | 74-23897-00 | | | |
| 10 | *Screw, Hex Hd No. 10-32 x 1/2 | 90-06231-09 | | | |
| 11 | *Washer, Split Lock No. 10 | 90-07906-00 | | | |
| 12 | *Washer, Flat | 90-06664-00 | | | |
| 13 | *Nut, Kep No. 1/4-20 x 7/16 | 90-18203-00 | | | |
| 14 | *Washer, Flat | 90-07983-00 | | | |
| 15 | *Shipping Bracket | 74-23898-00 | | | |
| 16 | *Screw, Socket Cap No. 10-32 x 1-1/2 | 90-06352-08 | | | |
| 17 | *Nut, Kep No. 10-32 x 3/8 | 90-06565-00 | | | |
| 18 | *Internal Sequence Cable Assembly | 70-19689-6B | | | |
| 19 | *Drive Sequence Cable Assembly | 70-19691-1J | | | |
| 20 | *R80 Data 40 Cable Assembly (P204, P303) | 70-16737-00 | | | |
| 21 | *R80 Data 40 Cable Assembly (P305, P402) | 70-16737-01 | | | |
| 22 | *Control Panel Cable Assembly | 70-16740-00 | | | |
| 23 | *Data 20 Cable Assembly | 70-16738-00 | | | |
| 24 | *OPERATOR CONTROL PANEL ASSEMBLY | 70-18324-00 | | | 12 |
| 25 | *Screw, Phl Pan Hd No. 6-32 x 5/16 | 90-09708-00 | | | |
| 26 | *Cable Tie | 90-10266-00 | | | |
| 27 | *RA81 Microprocessor Module | 54-15247-00 | | | |
| 28 | *SERVO BOARD/STIFFENER ASSEMBLY | 70-19045-01 | | | 13 |
| 29 | *PERSONALITY BOARD/STIFFENER ASSEMBLY | 70-19046-01 | | | 14 |
| 30 | *Grommet, Snap-in | 90-09966-00 | | | |
| 31 | *Plunger | 90-09963-00 | | | |
| 32 | *Ground Strap (9') | 12-13756-09 | | | |

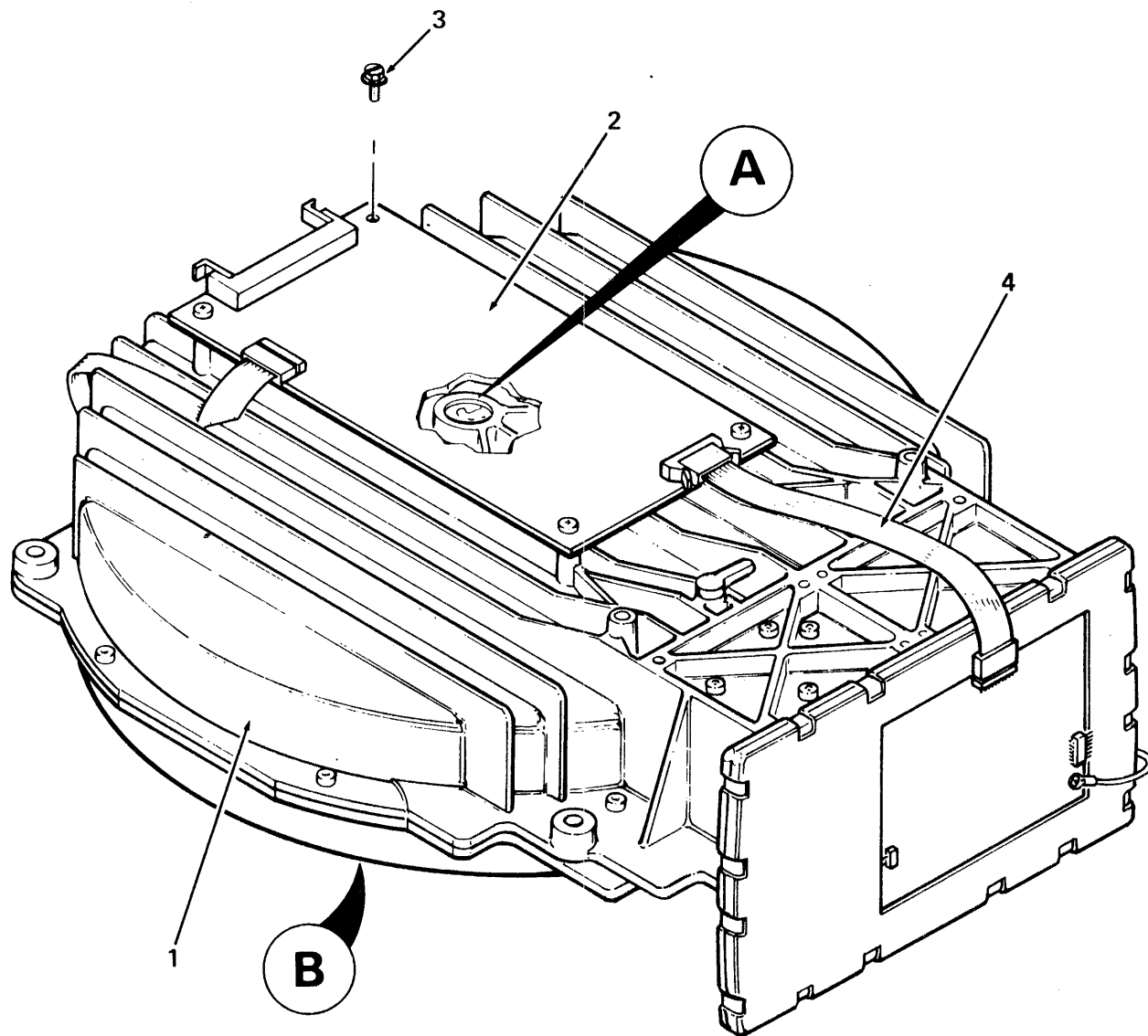
| FIG. & ITEM NO. | DESCRIPTION | DEC PART NO. | ECO CUT-IN RA81 00002 | USED ON CODE | REF FIG NO. |
|-----------------|---|--------------|-----------------------|--------------|-------------|
| 2- | | | | | |
| 33 | *Washer, Ext Tooth Lock No. 10 | 90-07651-00 | | | |
| 34 | *Ground Strap (3") | 12-13756-03 | | | |
| 35 | *HHT Cable and Bracket Assembly | 70-20018-01 | | | |
| 36 | *H7660 POWER SUPPLY ASSEMBLY 120V 60 Hz | H7660-A | | | |
| | | | See H7660 IPB. | | |
| | *H7660 POWER SUPPLY ASSEMBLY 240V 50 Hz | H7660-B | | AEJN | |
| | | | | CGLO | |
| 37 | *Gasket, Power Supply | 12-20320-01 | | BFKP | |
| 38 | *Mount, Cable Tie | 90-08264-00 | | DHMR | |
| 39 | *Screw, Hex Washer Hd Self Tap No. 8-32 x 3/8 | 90-10075-00 | | | |
| 40 | *Screw, Phl Pan Hd No. 4-40 x 3/8 | 90-06011-01 | | | |
| 41 | *Washer, Int Tooth Lock | 90-06032-00 | | | |
| 42 | *Bracket, Drive Bulkhead | 74-27189-01 | | | |
| 43 | *Clip, "U" | 90-09748-00 | | | |
| | | | | | |
| | | | | | |
| | | | | | |
| | | | | | |
| | | | | | |
| | | | | | |
| | | | | | |
| | | | | | |
| | | | | | |
| | | | | | |
| | | | | | |
| | | | | | |
| | | | | | |
| | | | | | |
| | | | | | |
| | | | | | |
| | | | | | |
| | | | | | |
| | | | | | |
| | | | | | |
| | | | | | |
| | | | | | |
| | | | | | |
| | | | | | |
| | | | | | |
| | | | | | |
| | | | | | |
| | | | | | |
| | | | | | |
| | | | | | |
| | | | | | |
| | | | | | |
| | | | | | |
| | | | | | |
| | | | | | |
| | | | | | |
| | | | | | |
| | | | | | |



RA81-03

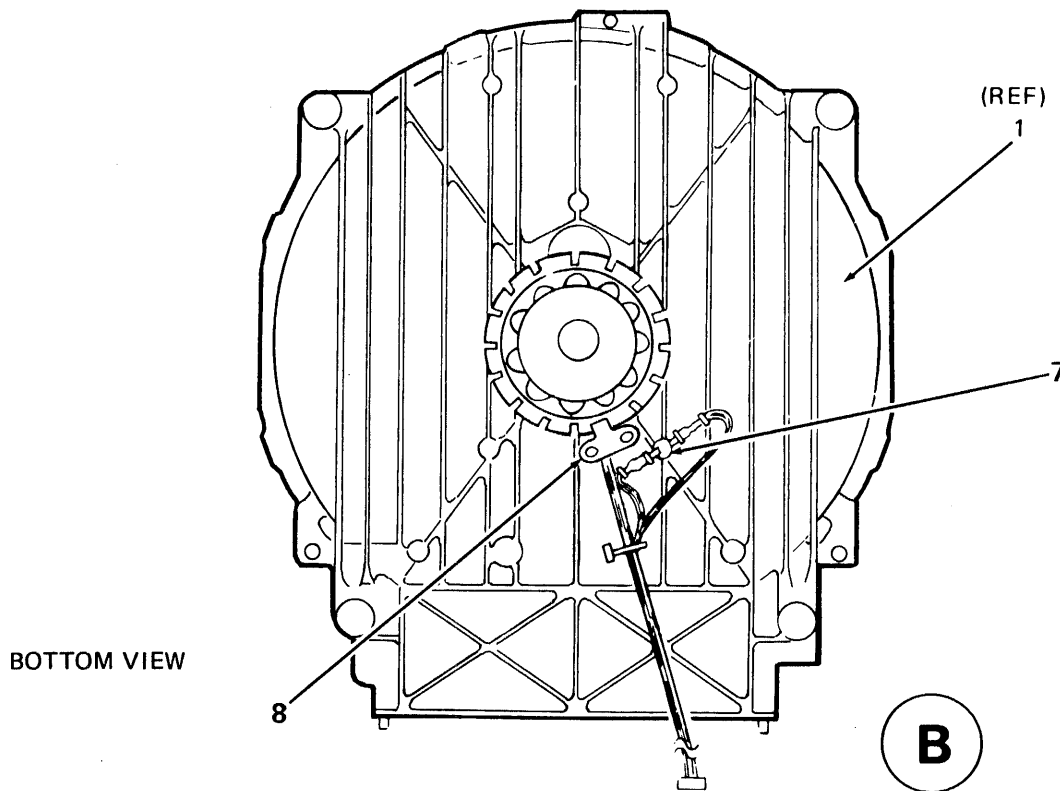
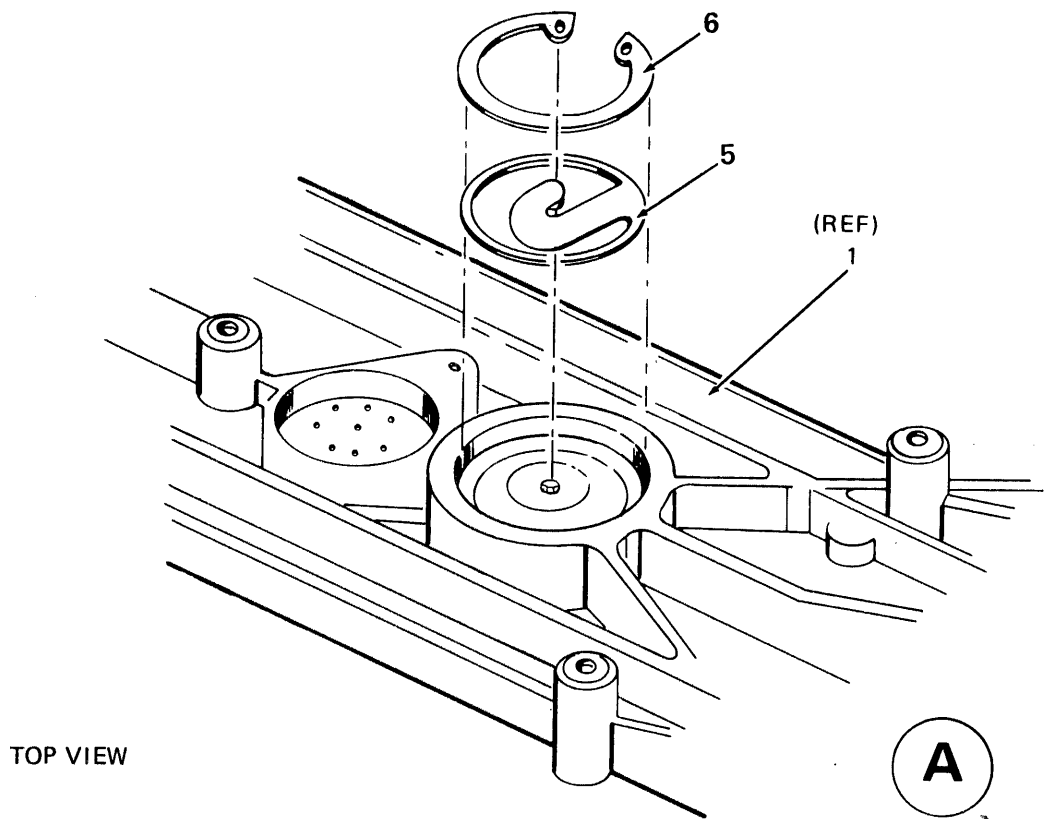
Figure 3. Basic Disk Drive Assembly

| FIG. & ITEM NO. | DESCRIPTION | DEC PART NO. | ECO CUT-IN 70-18446 00006 | USED ON CODE | REF FIG NO. |
|-----------------|--|--------------|---------------------------------|--------------|-------------|
| 3- | BASIC DISK DRIVE ASSEMBLY 120V 60 Hz | 70-18446-04 | | AEJN | 2 |
| | BASIC DISK DRIVE ASSEMBLY 240V 50 Hz | 70-18446-05 | | CGLO | |
| 1 | * LOWER CHASSIS ASSEMBLY 120V 60 Hz | 70-16741-00 | | BFKP | 2 |
| | | | | DHMR | |
| | * LOWER CHASSIS ASSEMBLY 240V 50 Hz | 70-16741-01 | | AEJN | 7 |
| | | | | CGLO | |
| 2 | * LOGIC CHASSIS ASSEMBLY 120V 60 Hz | 70-16773-04 | | BFKP | 7 |
| | | | | DHMR | |
| | * LOGIC CHASSIS ASSEMBLY 240V 50 Hz | 70-16773-05 | | AEJN | 8 |
| | | | | CGLO | |
| 3 | *Screw, Phl Pan Hd No. 8-32 x 5/16 | 90-06036-01 | | BFKP | |
| 4 | *Washer, Split Lock No. 8 | 90-06690-00 | | DHMR | |
| 5 | *Washer, Flat | 90-06664-00 | | | |
| 6 | * REAR COVER ASSEMBLY | 70-19687-01 | | | 9 |
| 7 | *Screw, Pivot | 74-22822-00 | | | |
| 8 | *Top Baffle Assembly | 70-17616-00 | | | |
| 9 | *Screw, Phl Pan Hd Self Tap No. 6-32 x 3/8 | 90-09514-01 | | | |
| 10 | *Washer, Flat No. 6 | 90-06659-00 | | | |
| 11 | *Bottom Baffle Assembly | 70-17615-00 | | | |
| 12 | *Nut, Kep No. 6-32 | 90-06560-00 | | | |
| 13 | *PRE-AMP Servo Cable Assembly | 70-16735-00 | | | |
| 14 | *Cable Clamp | 90-09636-00 | | | |
| 15 | *Washer, Flat (Nylon) | 90-06710-00 | | | |
| 16 | * LOGIC COVER ASSEMBLY | 70-19695-02 | | | 10 |



RA81-04

Figure 4. HDA-R/W Module Assembly (Sheet 1 of 2)



RA81-04A

Figure 4. HDA-R/W Module Assembly (Sheet 2 of 2)

| FIG. & ITEM NO. | DESCRIPTION | DEC PART NO. | ECO CUT-IN 70-19062 00001 | USED ON CODE | REF FIG NO. |
|-----------------|--------------------------------------|--------------|---------------------------------|----------------------|-------------|
| 4- | HDA-R/W MODULE ASSEMBLY (16 BIT HDA) | 70-19044-01 | | AEJN | 2 |
| | HDA-R/W MODULE ASSEMBLY (18 BIT HDA) | 70-19044-02 | | BFKP CGLO DHMR | 2 |
| 1 | *Head/Disk Assembly (16 BIT) | 70-18491-01 | | AEJN | |
| | *Head/Disk Assembly (18 BIT) | 70-18491-02 | | BFKP CGLO DHMR | |
| 2 | *Read/Write Module | 54-15253-00 | | | |
| 3 | *Screw, Hex Washer Hd No. 8-32 x 3/8 | 90-10075-00 | | | |
| 4 | *Data Cable Assembly | 70-16738-01 | | | |
| 5 | *Ground Brush Assembly | 70-16215-00 | | | |
| 6 | *Ring, Retaining | 90-10168-00 | | | |
| 7 | *HDA Thermal Switch | 12-16870-01 | | | |
| 8 | *HDA Speed Sensor | 12-16817-00 | | | |

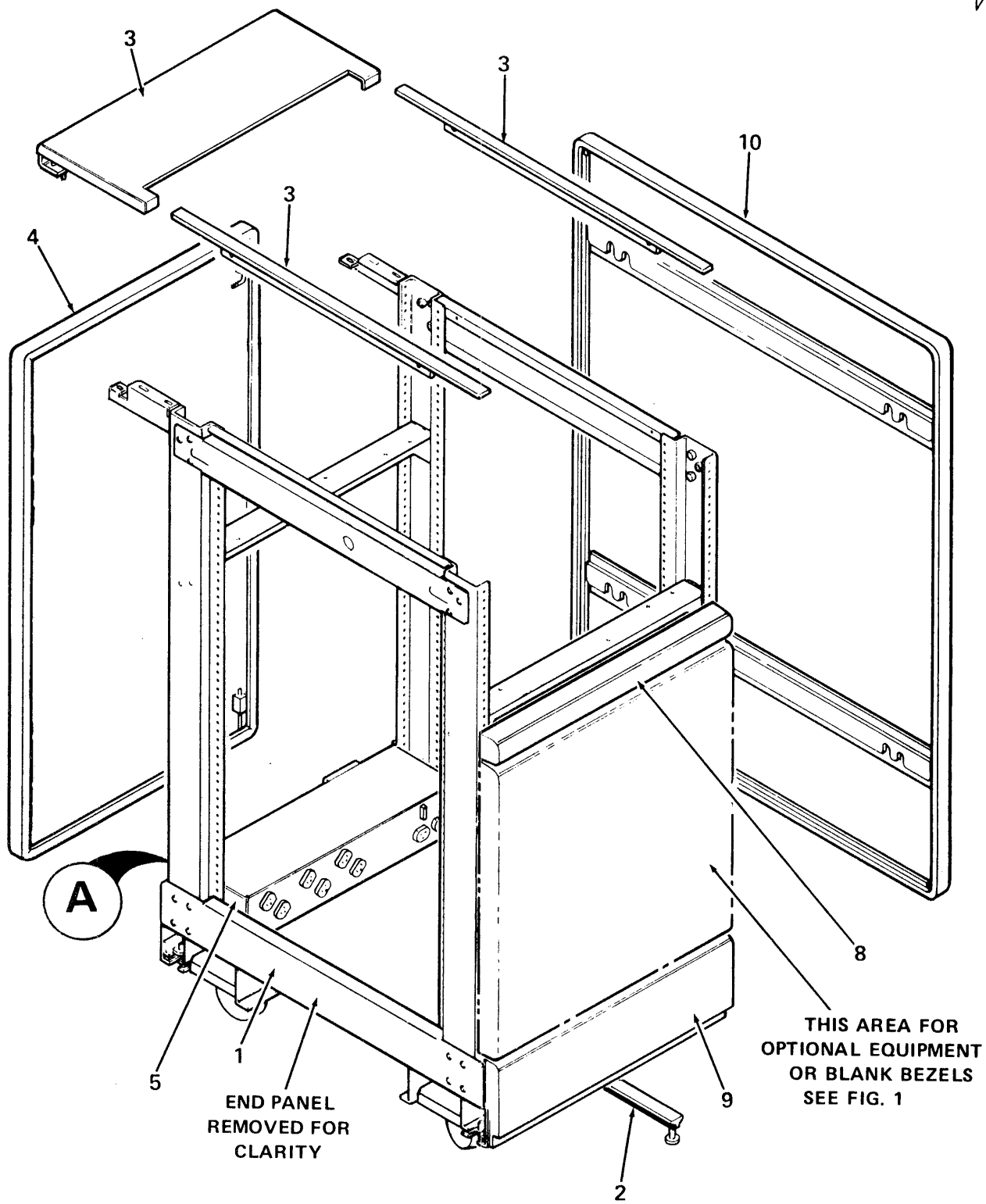
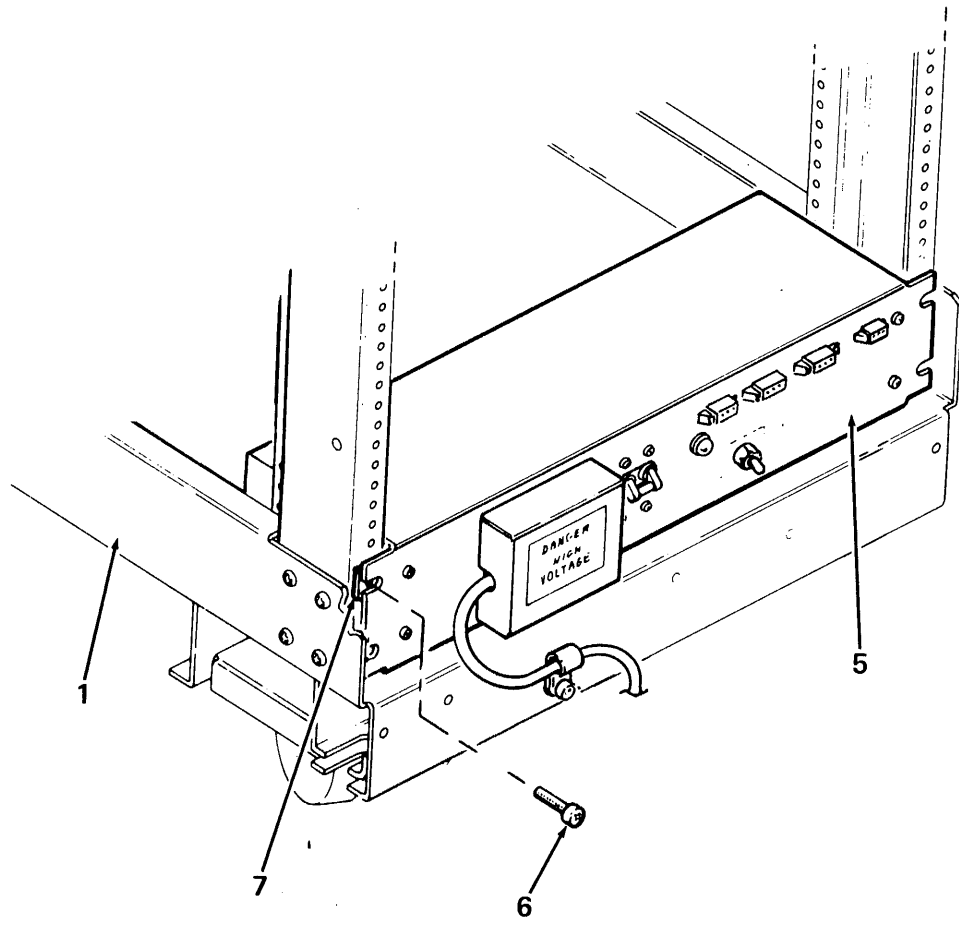


Figure 5. Top Loading Cabinet Assembly (Sheet 1 of 2)

RA81-05



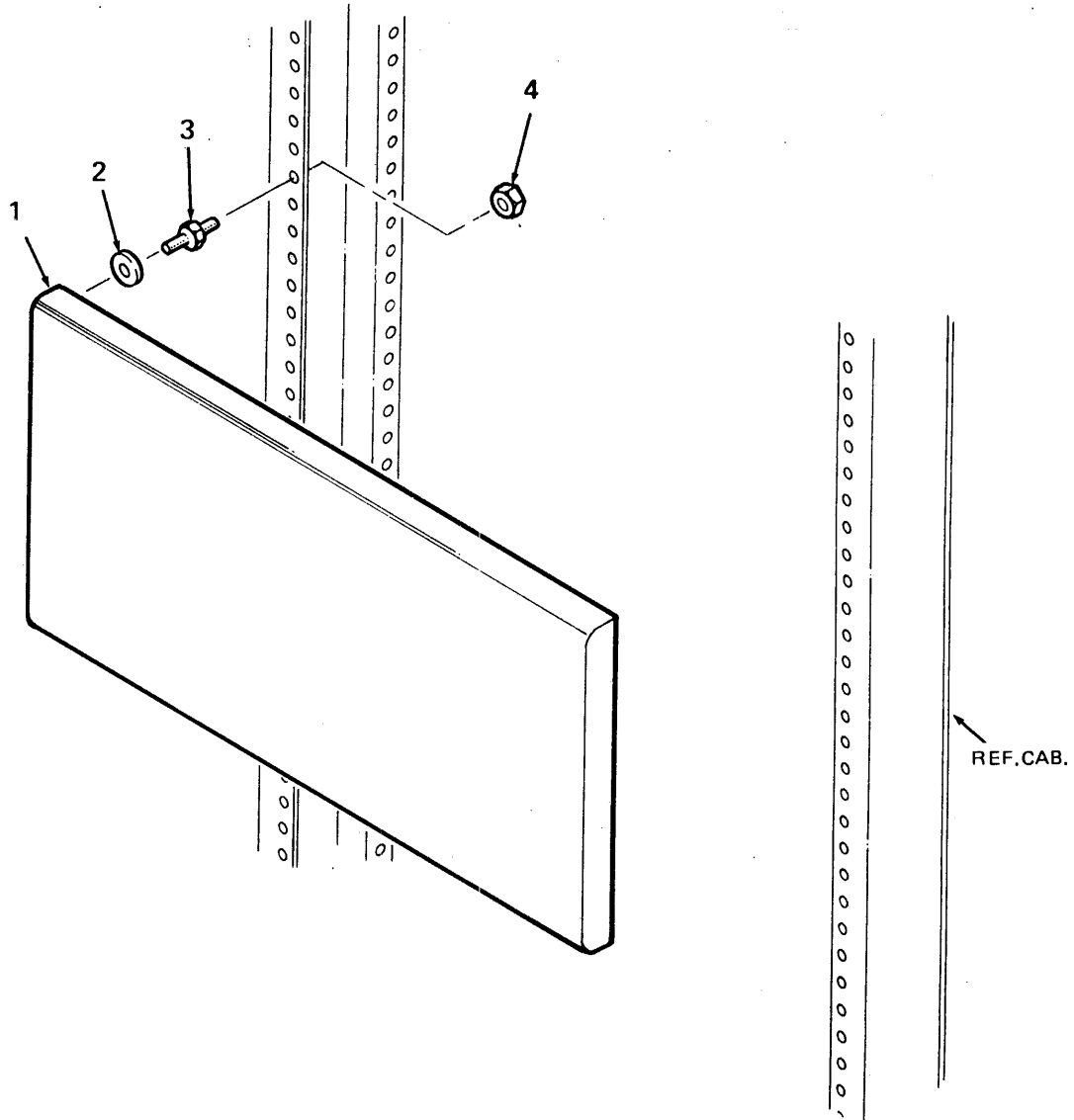
A

RA81-05A

Figure 5. Top Loading Cabinet Assembly (Sheet 2 of 2)

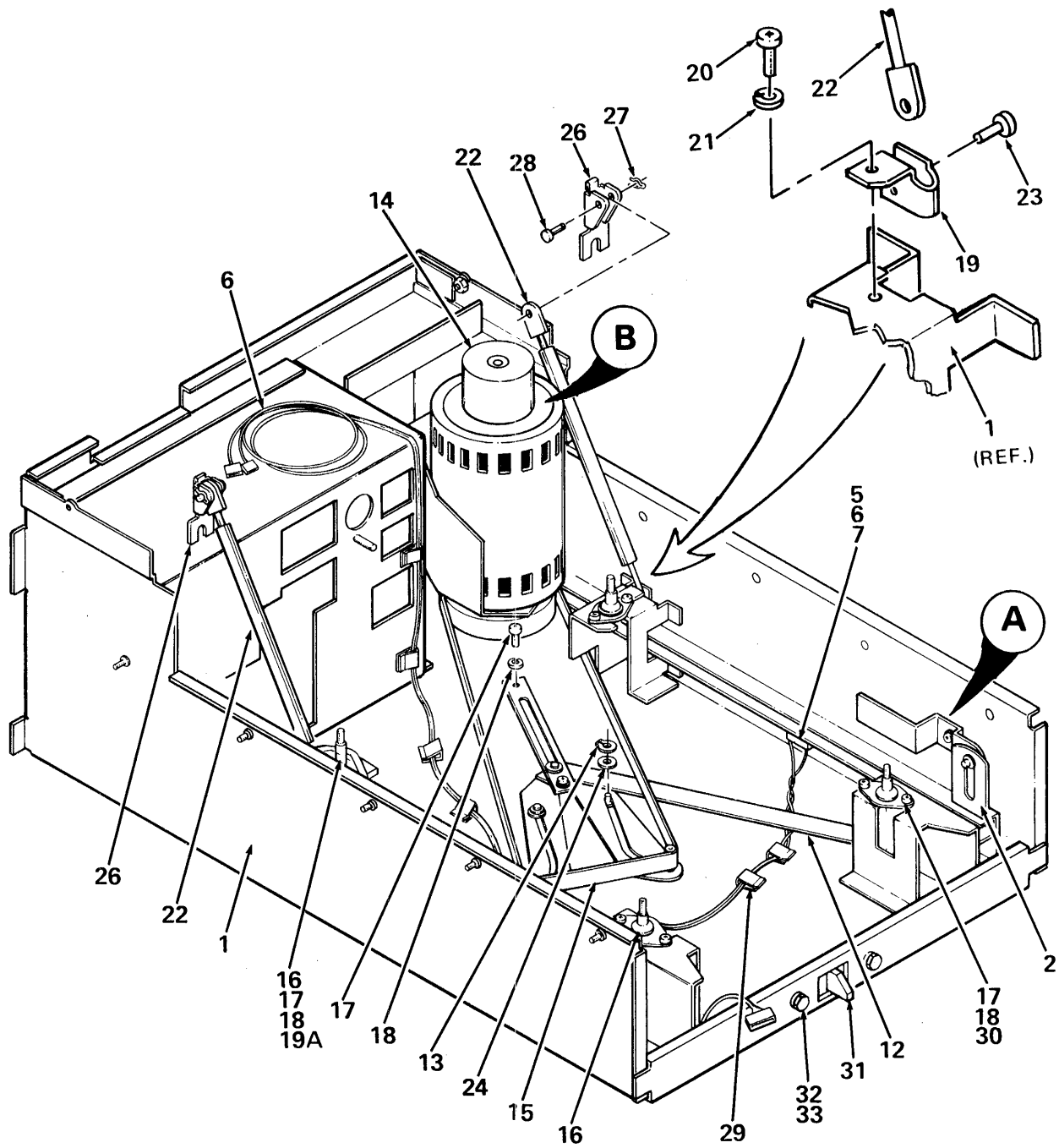
| FIG. & ITEM NO. | DESCRIPTION | DEC PART NO. | ECO CUT-IN H9642-A 00002 | USED ON CODE | REF FIG NO. |
|-----------------|--|----------------------|--------------------------------|------------------|-------------|
| 5- | TOP LOADING CABINET ASSEMBLY 120V 60 Hz TOP LOADING CABINET ASSEMBLY 240V 50 Hz | H9642-AS H9642-AT | | EGJLNQ FHKMPR | 1 1 |
| 1 | * Frame Assembly | H9542-FB | | | |
| 2 | * CABINET ACCESSORY KIT | H9544-HA | | | 17 |
| 3 | * RA81 TRIM ASSEMBLY | H9544-CF | | | 18 |
| 4 | * SHIELDED REAR DOOR ASSEMBLY | H9544-BM | | | 19 |
| 5 | * POWER CONTROLLER ASSEMBLY 120V 60 Hz | 874-D | See 874 IPB. | EGJLNQ | |
| | * POWER CONTROLLER ASSEMBLY 240V 50 Hz | 874-E | | FHKMPR | |
| 6 | * Screw, Sems Phl Truss Hd No. 10-32 x 1/2 | 90-09700-00 | | | |
| 7 | * Retainer, U-Nut No. 10 | 90-07786-00 | | | |
| 8 | * BLANK BEZEL ASSEMBLY | H9544-DA | | | 20 |
| 9 | * BOTTOM COVER ASSEMBLY | H9544-DB | | | 21 |
| 10 | * END PANEL ASSEMBLY (W/Lock Bracket) | H9544-AG | | | 22 |

| FIG. & ITEM NO. | DESCRIPTION | DEC PART NO. | ECO CUT-IN 74-15314 00002 | USED ON CODE | REF FIG NO. |
|-----------------|-----------------------|--------------|---------------------------------|--------------|-------------|
| 6- | FILLER PANEL ASSEMBLY | H9504-UA | | E - M | 1 |
| 1 | * Bezel, (10 1/2") | 74-15314-02 | | | |
| 2 | * Washer, Flat | 90-06664-00 | | | |
| 3 | * Pin, Pilot | 74-15711-00 | | | |
| 4 | * Nut, Kep No. 10-32 | 90-06565-00 | | | |



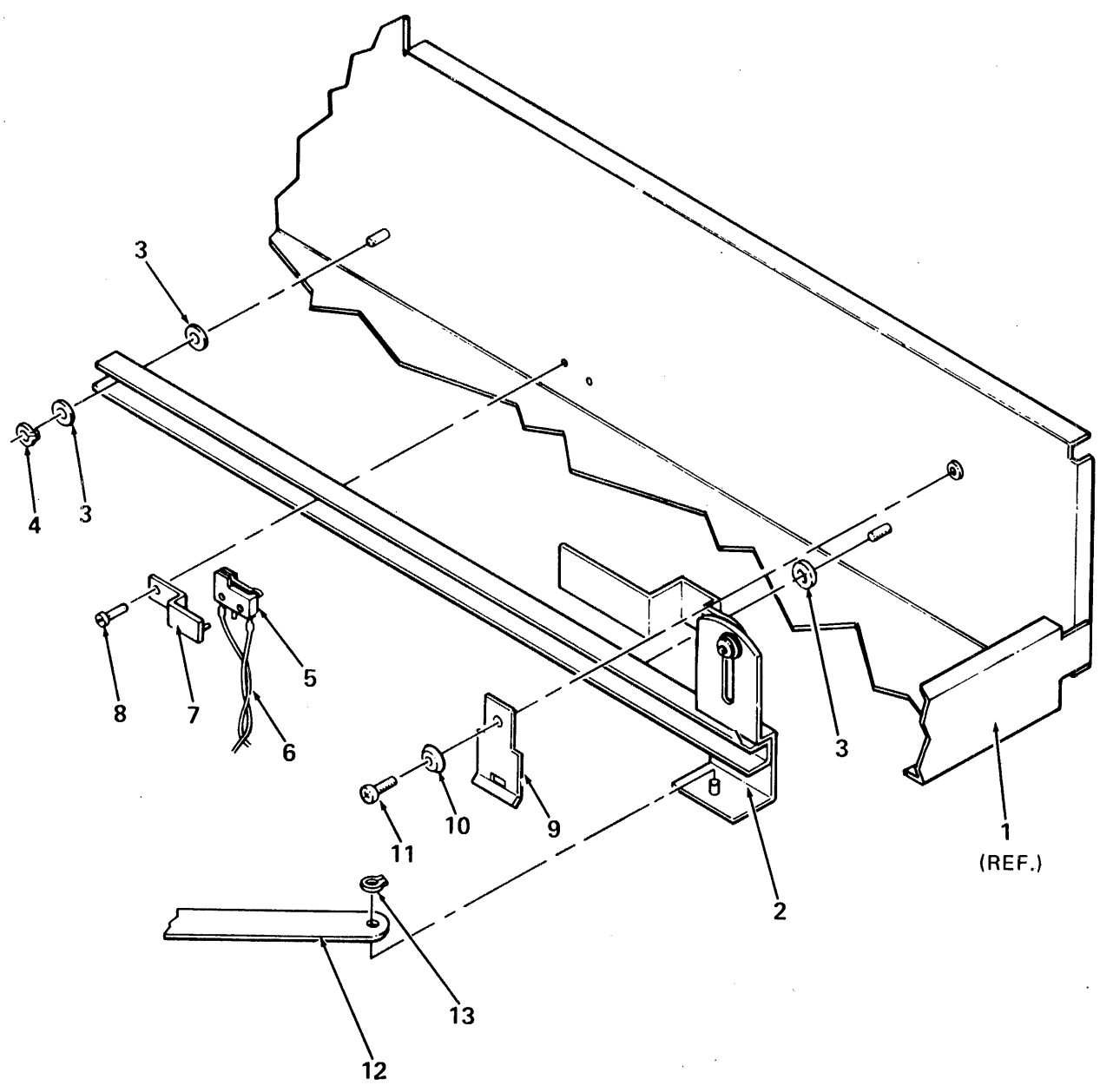
RA80-21

Figure 6. Filler Panel Assembly



RA81-07

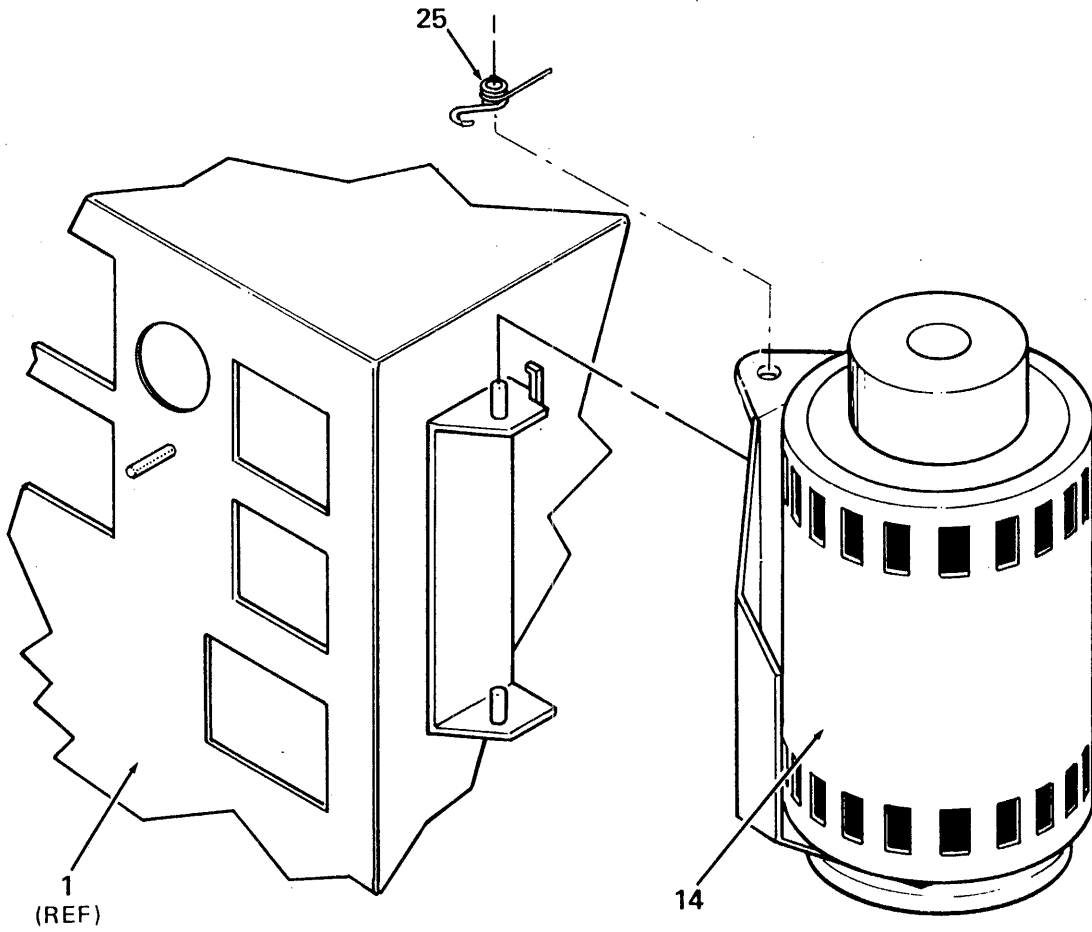
Figure 7. Lower Chassis Assembly (Sheet 1 of 3)



A

RA81-07A

Figure 7. Lower Chassis Assembly (Sheet 2 of 3)



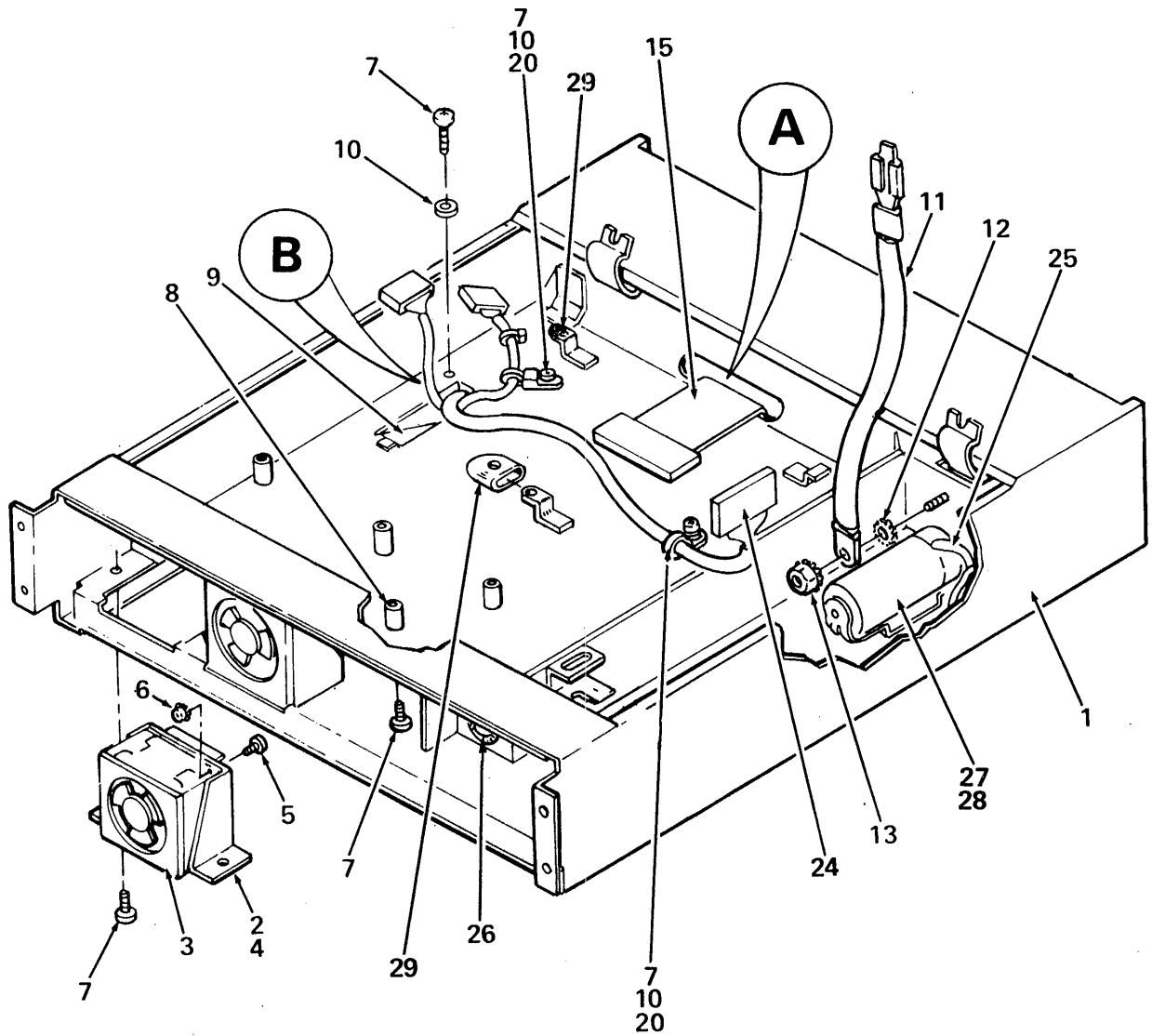
B

RA81-07B

Figure 7. Lower Chassis Assembly (Sheet 3 of 3)

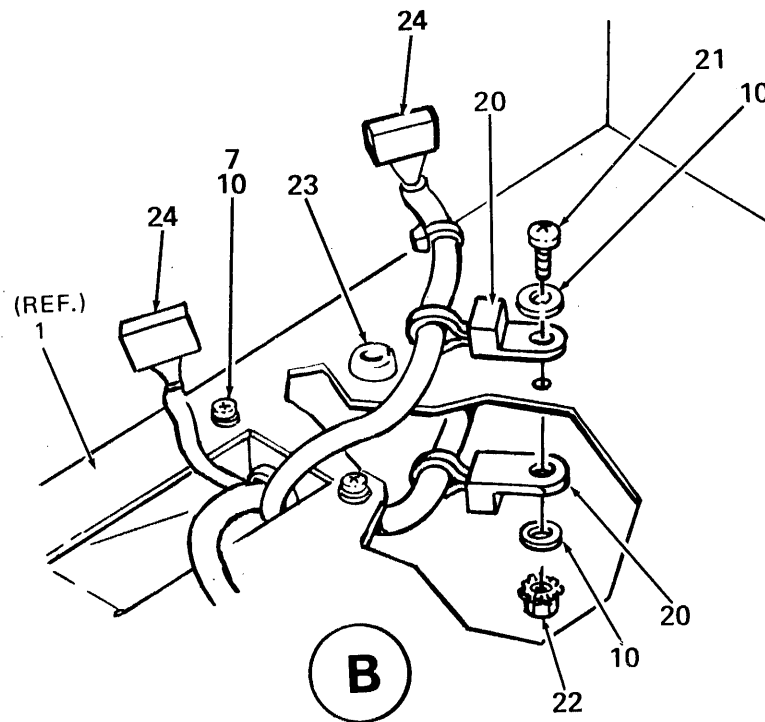
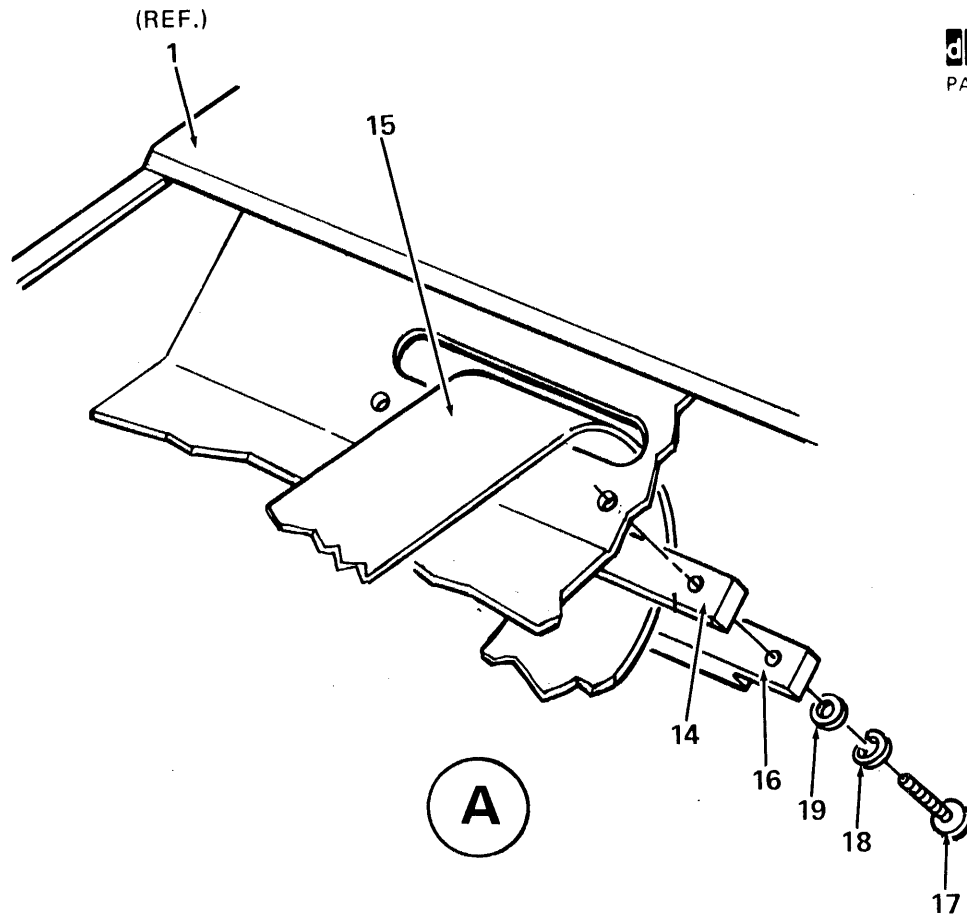
| FIG. & ITEM NO. | DESCRIPTION | DEC PART NO. | ECO CUT-IN R80 00014 | USED ON CODE | REF FIG NO. |
|-----------------|---------------------------------------|--------------|----------------------|----------------------|-------------|
| 7- | LOWER CHASSIS ASSEMBLY 120V 60 Hz | 70-16741-00 | | AEJN | 3 |
| | LOWER CHASSIS ASSEMBLY 240V 50 Hz | 70-16741-01 | | CGLO BFKP DHMR | 3 |
| 1 | *Baseplate Weldment Assembly | 70-16234-00 | | | |
| 2 | *ACTUATOR ASSEMBLY | 70-16724-00 | | | 15 |
| 3 | *Washer, Shoulder (Nylon) | 90-08990-00 | | | |
| 4 | *Ring, Retaining (External) | 90-07784-00 | | | |
| 5 | *Switch, Micro (IP5A) | 12-14011-00 | | | |
| 6 | *BELT TENSION SWITCH HARNESS ASSEMBLY | 70-16980-00 | | | 23 |
| 7 | *Bracket, Switch | 74-25943-01 | | | |
| 8 | *Screw, Phl Pan Hd No. 6-32 x 1/4 | 90-09905-00 | | | |
| 9 | *Spring, Handle Lock | 74-21993-00 | | | |
| 10 | *Washer, Spring | 90-10204-00 | | | |
| 11 | *Screw, Phl Truss Hd No. 8-32 x 1/4 | 90-09836-00 | | | |
| 12 | *Wing Pivot Assembly | 70-16230-00 | | | |
| 13 | *Ring, Retaining (External) | 90-08137-00 | | | |
| 14 | *MOTOR ASSEMBLY 120V 60 Hz | 70-16723-00 | | AEJN | 16 |
| | *MOTOR ASSEMBLY 240V 50 Hz | 70-16723-01 | | CGLO BFKP DHMR | 16 |
| 15 | *Belt, Pulley (Woven) 120V 60 Hz | 12-12635-03 | | AEJN CGLO | |
| | *Belt, Pulley (Woven) 240V 50 Hz | 12-12635-04 | | BFKP DHMR | |
| 16 | *Mount, Shock, Rubber | 12-16902-01 | | | |
| 17 | *Screw, Phl Pan Hd No. 6-32 x 1/2 | 90-09514-01 | | | |
| 18 | *Washer, Lock No. 6 | 90-07801-00 | | | |
| 19 | *Pivot, Gas Spring (L.H.) | 74-22795-00 | | | |
| 19A | *Pivot, Gas Spring (R.H.) | 74-22795-01 | | | |
| 20 | *Screw, Phl Pan Hd No. 8-32 x 5/16 | 90-06036-01 | | | |
| 21 | *Washer, Lock No. 8 | 90-06690-00 | | | |
| 22 | *Spring, Gas (45 lbs) | 12-17072-00 | | | |
| 23 | *Pin, Clevis | 90-10210-00 | | | |
| 24 | *Washer, Flat Nylon No. 10 | 90-06714-00 | | | |
| 25 | *Spring, Belt Release | 74-22440-00 | | | |
| 26 | *Bracket, Gas Spring Pivot | 74-22694-00 | | | |
| 27 | *Clip, Hitch Pin | 90-10211-00 | | | |
| 28 | *Pin, Clevis | 90-10210-01 | | | |
| 29 | *Cable Clamp | 90-09636-00 | | | |
| 30 | *Spacer | 74-25746-01 | | BFKP DHMR | |

| FIG. & ITEM NO. | DESCRIPTION | DEC PART NO. | ECO CUT-IN R80 00014 | USED ON CODE | REF FIG NO. |
|----------------------|---|--|----------------------|--------------|-------------|
| 7- 31 32 33 | *Detent, Latch *Screw, Hex Hd No. 10-32 x 1/2 *Washer, Flat No. 10 Label (Not Shown) *Label, "Lock Information" | 74-28319-01 90-06231-09 90-06666-00 36-18804-01 | | | |



RA81-08

Figure 8. Logic Chassis Assembly (Sheet 1 of 2)

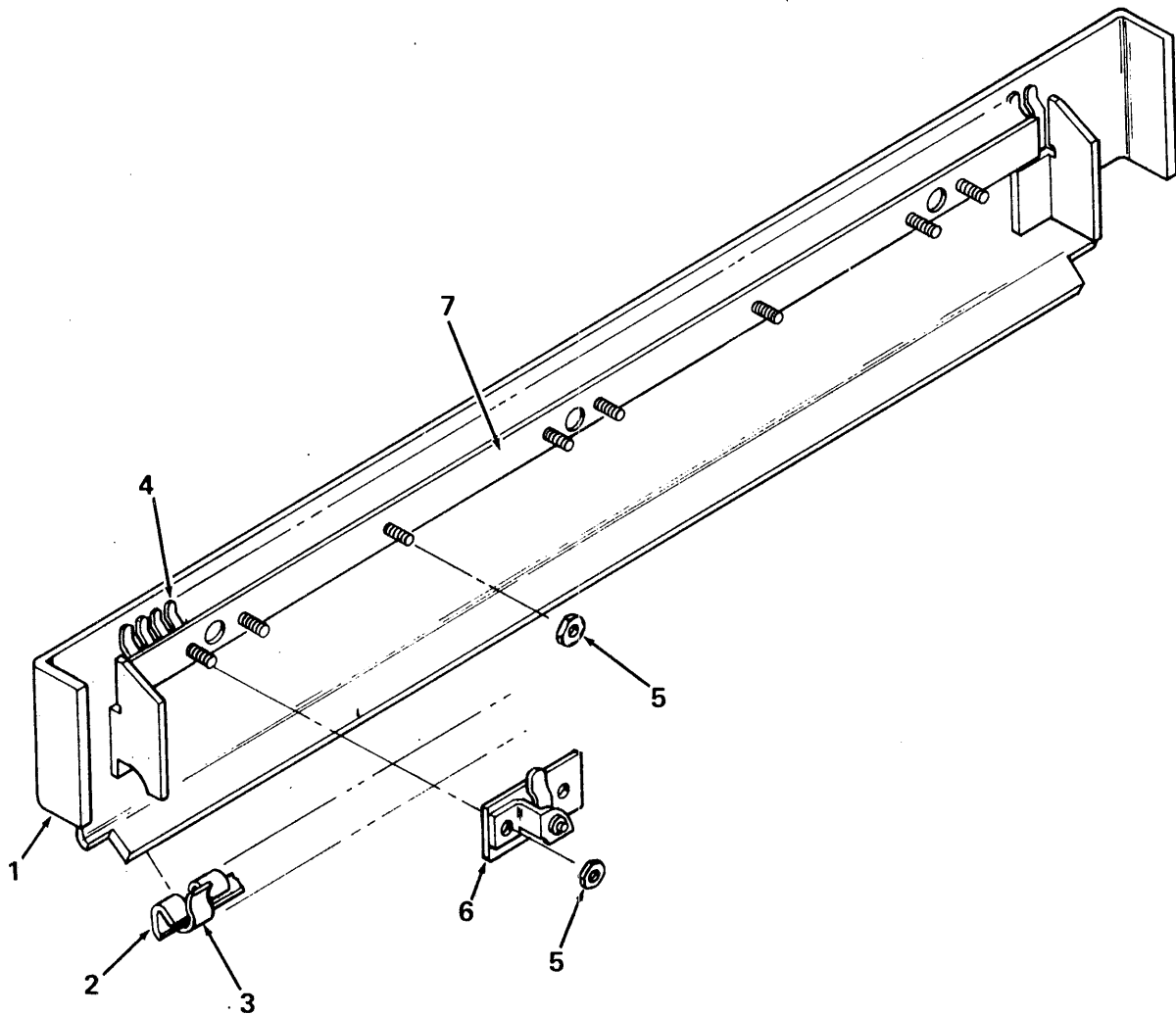


RA81-08A

Figure 8. Logic Chassis Assembly (Sheet 2 of 2)

| FIG. & ITEM NO. | DESCRIPTION | DEC PART NO. | ECO CUT-IN R80 00014 | USED ON CODE | REF FIG NO. |
|-----------------|--|--------------|----------------------|------------------------------|-------------|
| 8- | LOGIC CHASSIS ASSEMBLY 120V 60 Hz | 70-16773-04 | | AEJN CGLQ | 3 |
| | LOGIC CHASSIS ASSEMBLY 240V 50 Hz | 70-16773-05 | | BFKP DHMR | 3 |
| 1 | * Logic Weldment Assembly | 70-16778-01 | | | |
| 2 | * FAN AND BRACKET ASSEMBLY | 70-16745-00 | | | |
| 3 | ** Fan, Tube Axial 115V | 12-10719-03 | | | |
| 4 | ** Bracket, Fan | 74-21978-00 | | | |
| 5 | ** Screw, Phl Pan Hd No. 6-32 x 3/8 | 90-06022-01 | | | |
| 6 | ** Nut, Kep No. 6-32 x 1/4 | 90-08185-00 | | | |
| 7 | * Screw, Phl Pan Hd Self Tap No. 6-32 x 5/16 | 90-09708-00 | | | |
| 8 | * Spacer, Fiber Round No. 6-32 | 90-09556-00 | | | |
| 9 | * Retainer, Logic Cable | 74-22702-00 | | | |
| 10 | * Washer, Flat | 90-06659-00 | | | |
| 11 | * Strap, Grounding (5") | 70-17610-0E | | | |
| 12 | * Washer, Ext Tooth Lock No. 10 | 90-07651-00 | | | |
| 13 | * Nut, Kep No. 10-32 x 3/8 | 90-06565-00 | | | |
| 14 | * Strain Relief (Top) | 74-21465-00 | | | |
| 15 | * Read/Write Cable Assembly | 70-16739-00 | | | |
| 16 | * Strain Relief (Bottom) | 74-22445-00 | | | |
| 17 | * Screw, Phl Pan Hd No. 4-40 x 3/4 | 90-06015-01 | | | |
| 18 | * Washer, Lock No. 4 | 90-06688-00 | | | |
| 19 | * Washer, Flat | 90-06655-00 | | | |
| 20 | * Cable Tie | 90-07033-00 | | | |
| 21 | * Screw, Phl Pan Hd No. 6-32 x 1/2 | 90-06024-01 | | | |
| 22 | * Nut, Kep No. 6-32 x 5/16 | 90-06560-00 | | | |
| 23 | * Grommet, Rubber | 90-07018-00 | | | |
| 24 | * D.C. LOGIC POWER HARNESS ASSEMBLY | 70-18331-01 | | | 24 |
| 25 | * A.C. LOGIC POWER HARNESS ASSEMBLY | 70-16733-00 | | | 25 |
| 26 | * Grommet | 90-07035-00 | | | |
| 27 | * Capacitor, 297 MFD 165V | 10-16924-00 | | AEJN CGLQ BFKP DHMR | |
| | * Capacitor, 53-64 MFD 330 Vac | 10-19003-01 | | | |
| 28 | * Screw, Phl Flat Hd No. 8-32 x 3/8 | 90-06037-02 | | | |
| 29 | * Insulator | 74-25331-00 | | | |

| FIG. & ITEM NO. | DESCRIPTION | DEC PART NO. | ECO CUT-IN 70-19687 00001 | USED ON CODE | REF FIG NO. |
|-----------------|---------------------------------|--------------|---------------------------------|--------------|-------------|
| 9- | REAR COVER ASSEMBLY | 70-19687-01 | | | 3 |
| 1 | *Rear Cover Weldment Assembly | 70-19699-01 | | | |
| 2 | *Plate, Clamp | 74-27112-01 | | | |
| 3 | *Clip, U-Type | 90-10390-04 | | | |
| 4 | *Strip, EMI Filler Rear | 74-26915-01 | | | |
| 5 | *Nut, Kep No. 4-40 | 90-06557-00 | | | |
| 6 | *Latch, Slotted Adjustable Grip | 12-20197-01 | | | |
| 7 | *Strip, EMI Filler Front | 74-27115-01 | | | |



RA81-09

Figure 9. Rear Cover Assembly

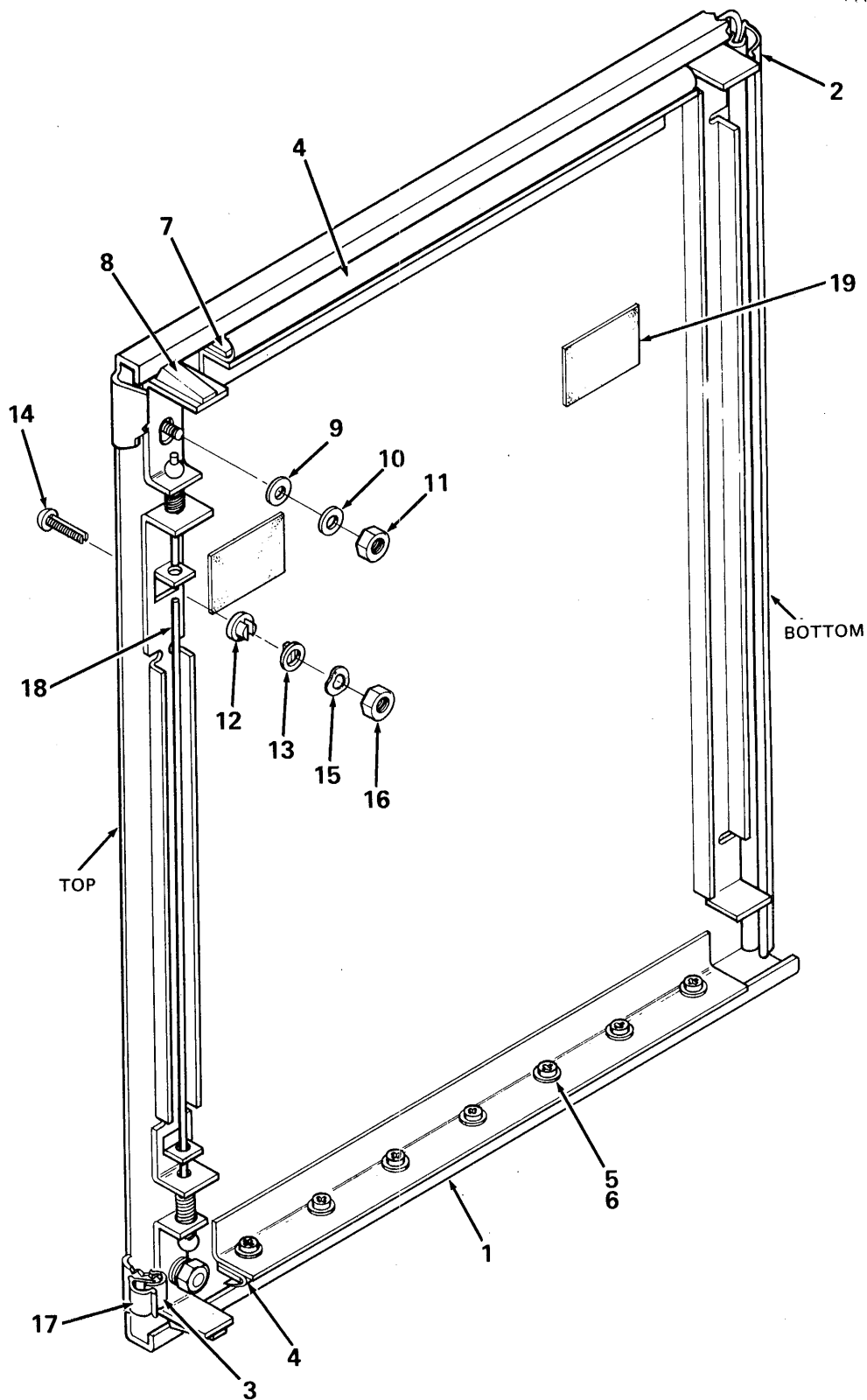
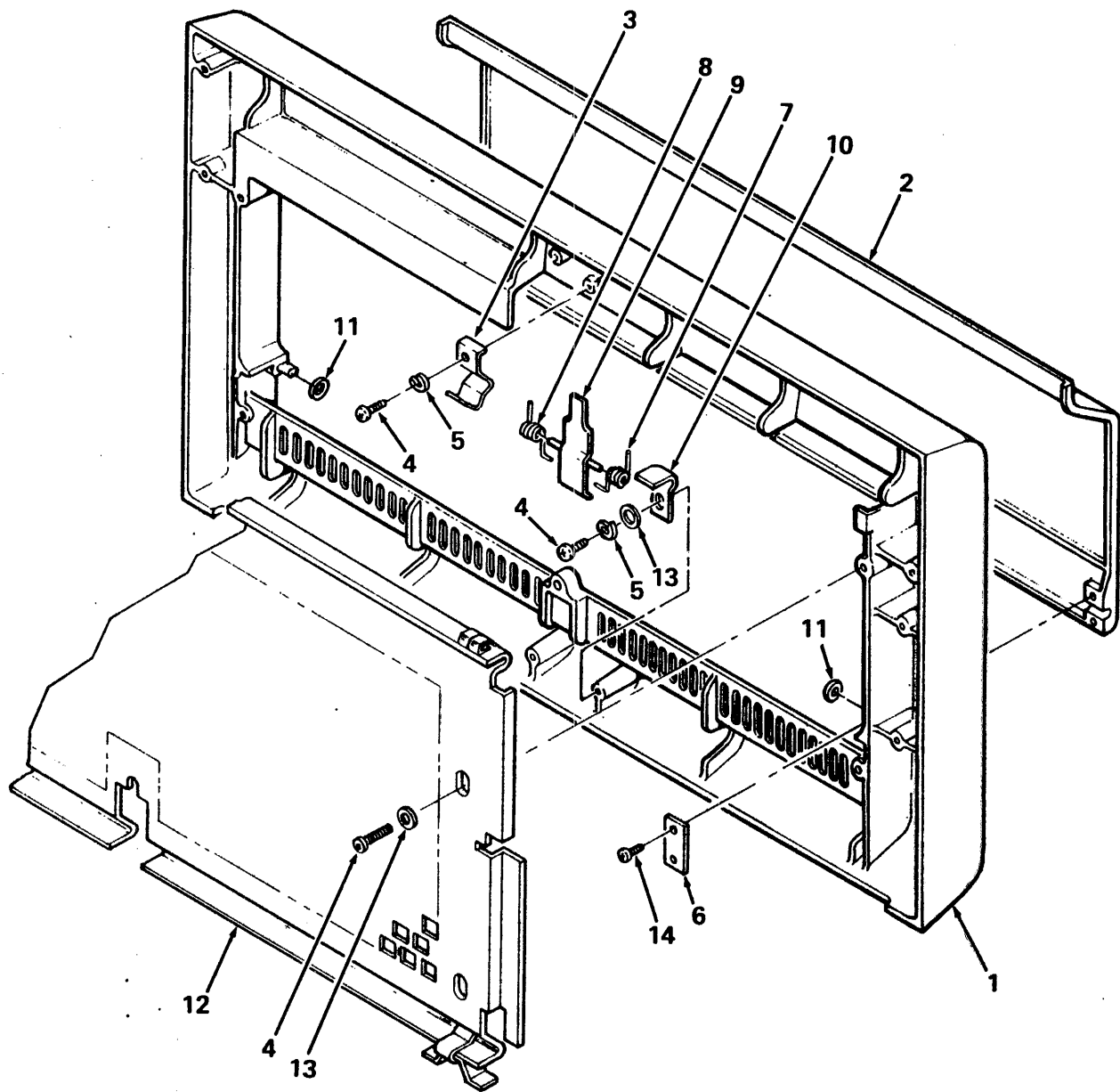


Figure 10. Logic Cover Assembly

RA81-10

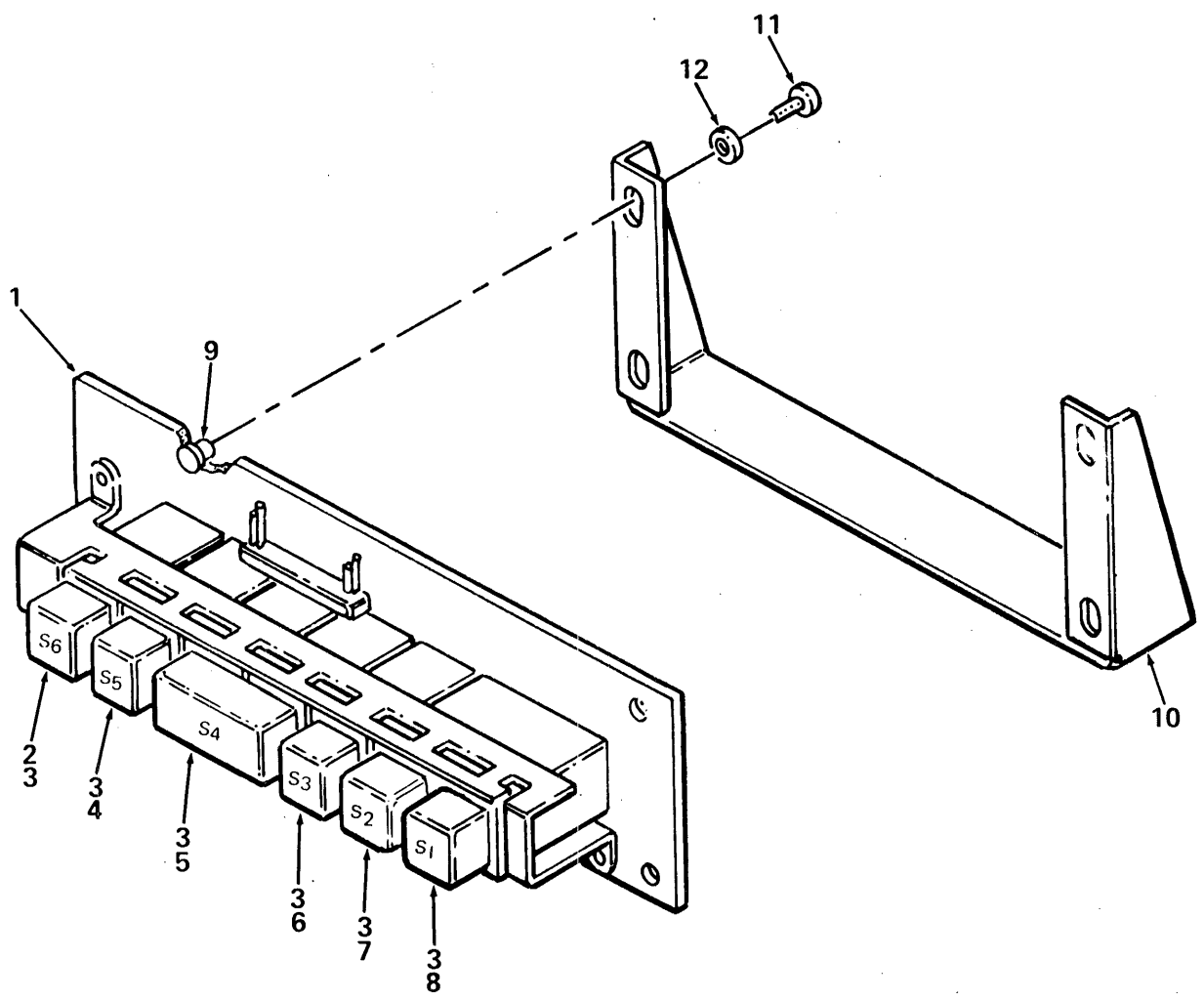
| FIG. & ITEM NO. | DESCRIPTION | DEC PART NO. | ECO CUT-IN 70-19695 00005 | USED ON CODE | REF FIG NO. |
|-----------------|--|--------------|---------------------------------|--------------|-------------|
| 10- | LOGIC COVER ASSEMBLY | 70-19695-02 | | | 3 |
| 1 | *Logic Cover Weldment Assembly | 70-19694-01 | | | |
| 2 | *Strip, EMI Shielded, Bottom | 74-27193-01 | | | |
| 3 | *Clip, U-Type | 90-10390-05 | | | |
| 4 | *Strip, EMI Filler, Right | 74-27179-01 | | | |
| 5 | *Screw, Socket Cap Hd No. 4-40 x 3/16 | 90-00042-09 | | | |
| 6 | *Washer, Split Lock | 90-06688-00 | | | |
| 7 | *Bar, Right Threaded | 74-27181-01 | | | |
| 8 | *Link | 74-27124-01 | | | |
| 9 | *Washer, Flat (Brass) | 12-20317-01 | | | |
| 10 | *Washer, Flat (Nylon) | 90-08992-00 | | | |
| 11 | *Nut, Kep No. 6-32 | 90-08055-00 | | | |
| 12 | *Pivot, Drive | 74-27123-01 | | | |
| 13 | *Disk, Pivot | 74-27192-01 | | | |
| 14 | *Screw, Reworked | 74-27120-01 | | | |
| 15 | *Washer, Spring | 90-09962-00 | | | |
| 16 | *Nut, Kep No. 10-32 | 90-06565-00 | | | |
| 17 | *Contact Strip | 12-19638-09 | | | |
| 18 | *Latch Cable Assembly | 70-19693-01 | | | |
| 19 | *Foam, Tape | 90-08214-02 | | | |
| | Label (Not Shown) Label, "Fans Warning" | 36-18173-01 | | | |



RA81-11

Figure 11. Bezel Assembly

| FIG. & ITEM NO. | DESCRIPTION | DEC PART NO. | ECO CUT-IN R80 00014 | USED ON CODE | REF FIG NO. |
|-----------------|--|--------------|----------------------|--------------|-------------|
| 11- | BEZEL ASSEMBLY | 70-17340-02 | | | 2 |
| 1 | *Bezel | 74-24469-01 | | | |
| 2 | *Door, Access | 74-24470-00 | | | |
| 3 | *Spring, Door Retention | 74-24183-00 | | | |
| 4 | *Screw, Phi Pan Hd Self Tap No. 6-32 x 3/8 | 90-09514-01 | | | |
| 5 | *Washer, Lock No. 6 | 90-07801-00 | | | |
| 6 | *Bracket, Access Door | 74-24179-00 | | | |
| 7 | *Spring, Latch (L.H.) | 74-24177-00 | | | |
| 8 | *Spring, Latch (R.H.) | 74-24177-01 | | | |
| 9 | *Latch | 70-17614-00 | | | |
| 10 | *Clamp, Latch Pivot | 74-24180-00 | | | |
| 11 | *Washer, Flat (Nylon) | 90-00003-01 | | | |
| 12 | *Screen, EMI Bezel Assembly | 70-19703-01 | | | |
| 13 | *Washer, Flat | 90-06653-00 | | | |
| 14 | *Screw, Phi Pan Hd No. 4-40 x 1/4 | 90-08301-00 | | | |

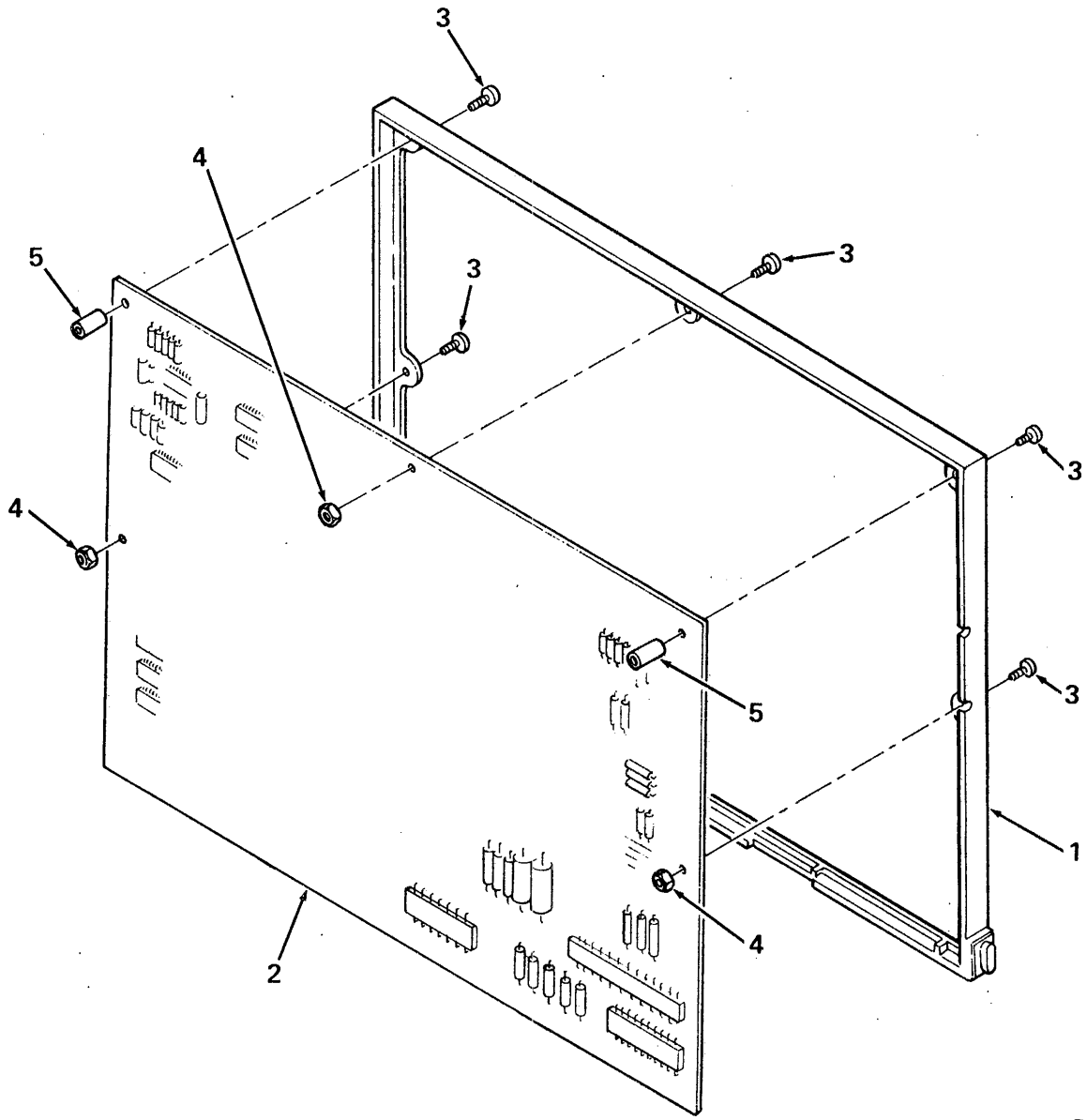


RA80-13.

Figure 12. Operator Control Panel Assembly

| FIG. & ITEM NO. | DESCRIPTION | DEC PART NO. | ECO CUT-IN 70-18324 00000 | USED ON CODE | REF FIG NO. |
|-----------------|---|--------------|---------------------------------|--------------|-------------|
| 12- | OPERATOR CONTROL PANEL ASSEMBLY | 70-18324-00 | | | 2 |
| 1 | *OPERATOR CONTROL PANEL MODULE ASSEMBLY | 54-14927-00 | | | |
| 2 | **Switch, Push Button Cap, Yel/Blk, "Run Stop" (S6) | 12-12174-00 | | | |
| 3 | **Lamp, Wedge, 6.3V, 2A MSCP | 12-12716-00 | | | |
| 4 | **Switch, Push Button Cap, Red/Blk "Fault" (S5) | 12-12714-02 | | | |
| 5 | **Switch, Encoder Button (S4) | 12-18199-01 | | | |
| 6 | **Switch, Push Button Cap, Yel/Blk, "Write Prot" (S3) | 12-12714-01 | | | |
| 7 | **Switch, Push Button Cap, Wht/Blk, "A" (S2) | 12-12714-03 | | | |
| 8 | **Switch, Push Button Cap, Wht/Blk "B" (S1) | 12-12714-04 | | | |
| 9 | **Standoff, P.C. Board No. 4-40 x .125 | 90-09113-01 | | | |
| 10 | *Bracket, Control Panel | 74-22814-00 | | | |
| 11 | *Screw, Phl Pan Hd No. 4-40 x 3/8 | 90-09546-00 | | | |
| 12 | *Washer, Flat | 90-06655-00 | | | |

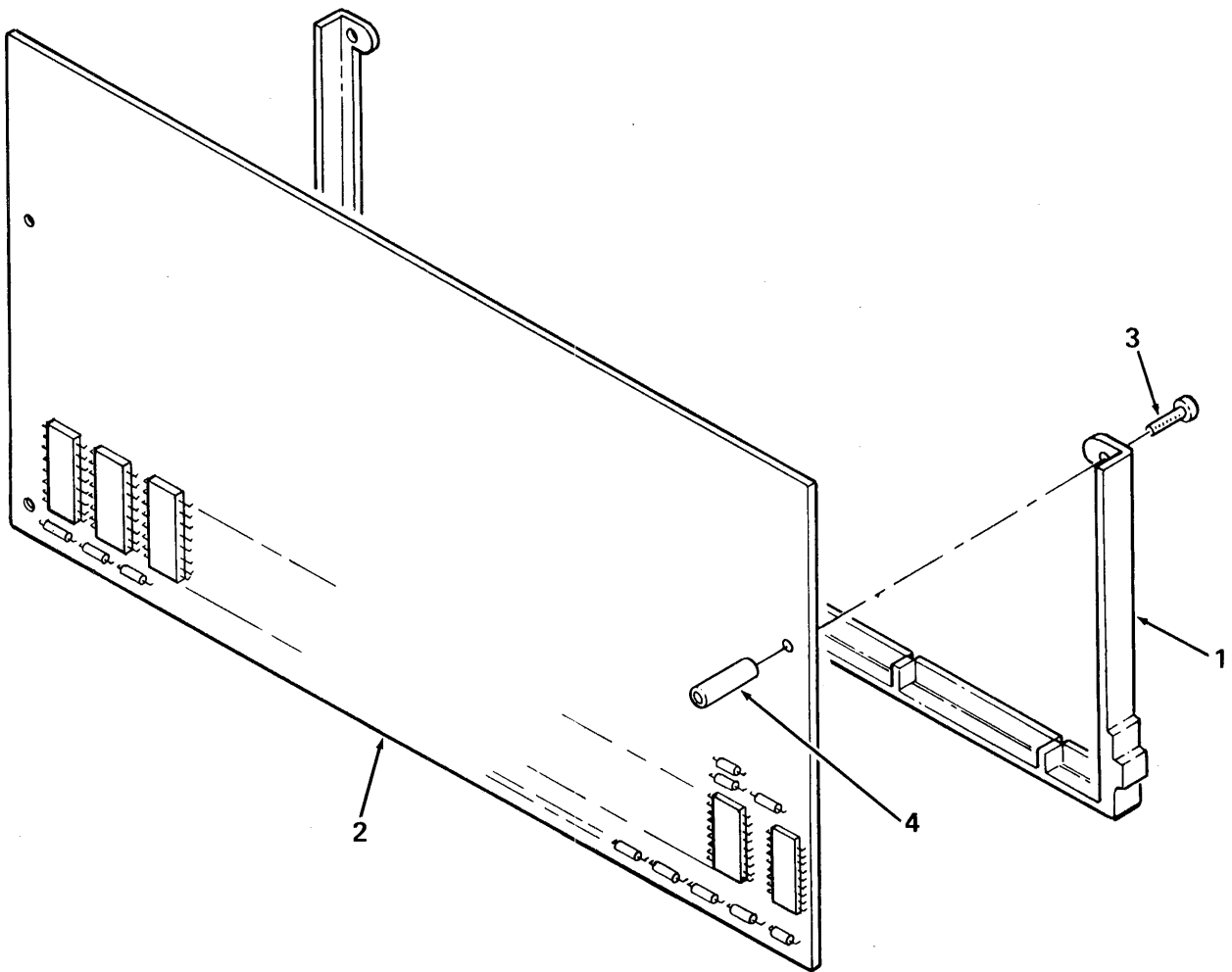
| FIG. & ITEM NO. | DESCRIPTION | DEC PART NO. | ECO CUT-IN 70-19045 00001 | USED ON CODE | REF FIG NO. |
|-----------------|--|--------------|---------------------------------|--------------|-------------|
| 13- | SERVO BOARD/STIFFENER ASSEMBLY | 70-19045-01 | | | 2 |
| 1 | *Tray, Extended Hex Support | 74-21976-01 | | | |
| 2 | *Servo Control Module | 54-15251-00 | | | |
| 3 | *Screw, Slotted Pan Hd No. 6-32 x 7/16 | 90-08212-00 | | | |
| 4 | *Nut, Hex Hd No. 6-32 x 5/16 | 90-07883-00 | | | |
| 5 | *Spacer, Fiber Round.No. 6-32 | 90-00035-04 | | | |



RA81-13

Figure 13. Servo Board/Stiffener Assembly

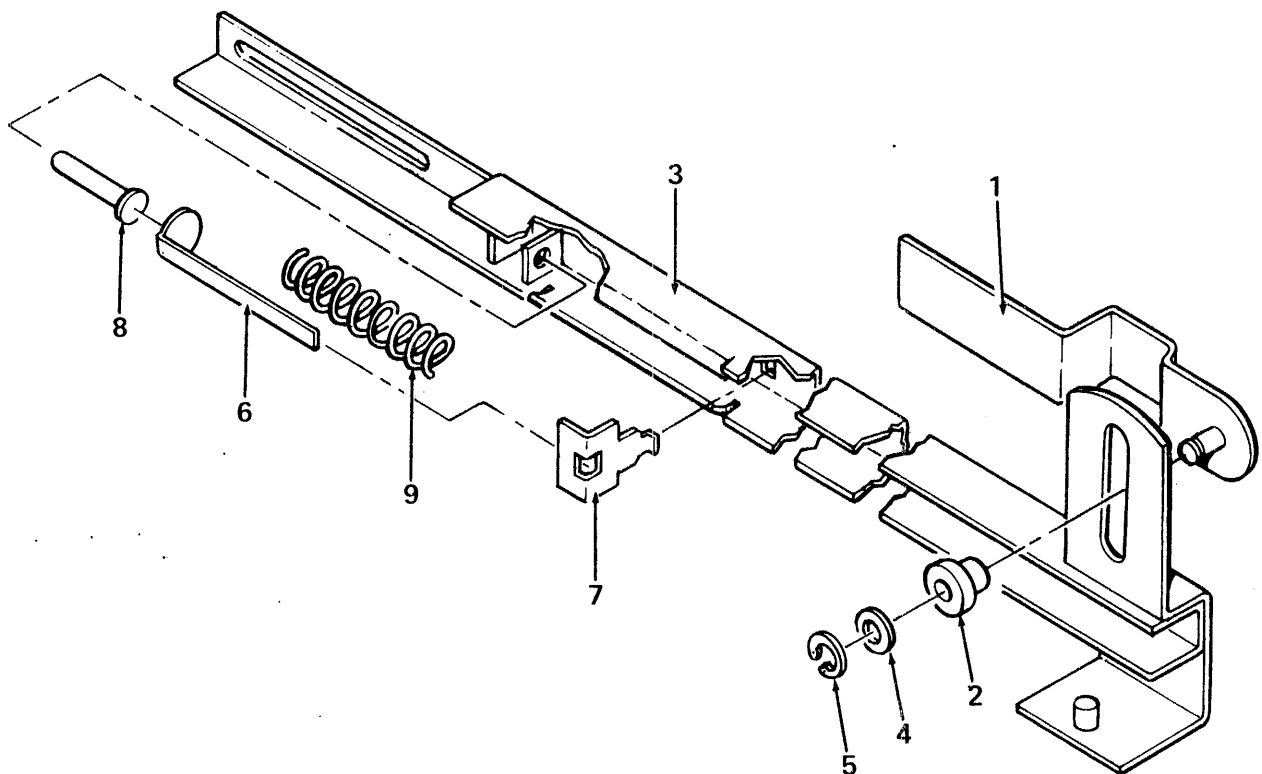
| FIG. & ITEM NO. | DESCRIPTION | DEC PART NO. | ECO CUT-IN 70-19046 00000 | USED ON CODE | REF FIG NO. |
|-----------------|--|--------------|---------------------------------|--------------|-------------|
| 14--- | PERSONALITY BOARD/STIFFENER ASSEMBLY | 70-19046-01 | | | 2 |
| 1 | *Stiffener, Board | 74-22798-00 | | | |
| 2 | *R81 Personality Module | 54-15248-00 | | | |
| 3 | *Screw, Slotted Pan Hd No. 6-32 x 7/16 | 90-08212-00 | | | |
| 4 | *Spacer, Round Fiber No. 6-32 x 1/4 x 1" | 90-06967-00 | | | |



RA81-14

Figure 14. Personality Board/Stiffener Assembly

| FIG. & ITEM NO. | DESCRIPTION | DEC PART NO. | ECO CUT-IN 70-16724 00002 | USED ON CODE | REF FIG NO. |
|-----------------|--------------------------|--------------|---------------------------|--------------|-------------|
| 15-- | ACTUATOR ASSEMBLY | 70-16724-00 | | | 7 |
| 1 | *Handle, Actuator | 70-16229-00 | | | |
| 2 | *Bushing, Bronze | 12-16567-00 | | | |
| 3 | *Actuator, Weldment | 70-16231-00 | | | |
| 4 | *Washer, Flat | 90-06664-00 | | | |
| 5 | *Ring, Retaining | 90-07784-00 | | | |
| 6 | *Indicator, Belt Tension | 74-22818-00 | | | |
| 7 | *Retainer, Spring | 74-21989-00 | | | |
| 8 | *Shaft, Pressure | 74-21997-00 | | | |
| 9 | *Spring, Compression | 74-21998-00 | | | |



R80-11

Figure 15. Actuator Assembly

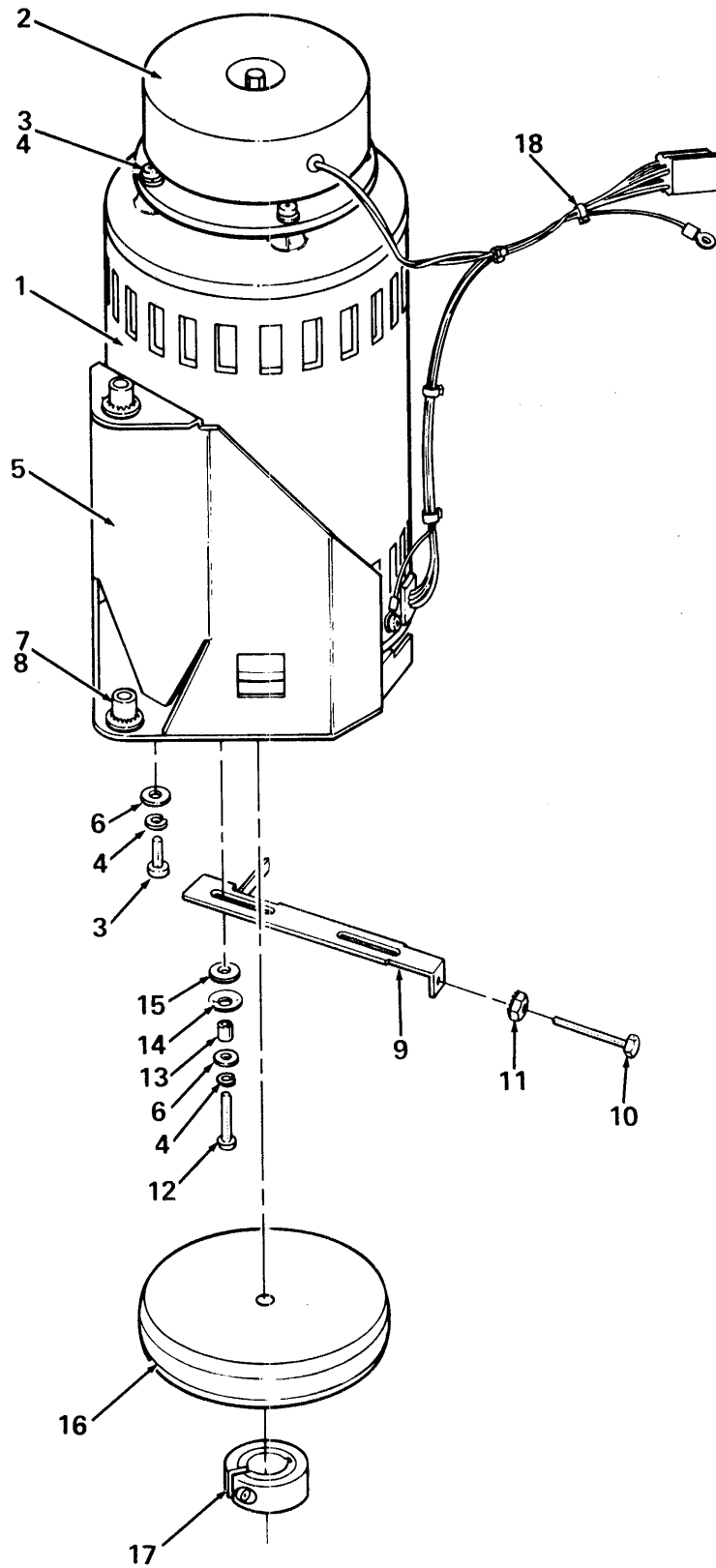
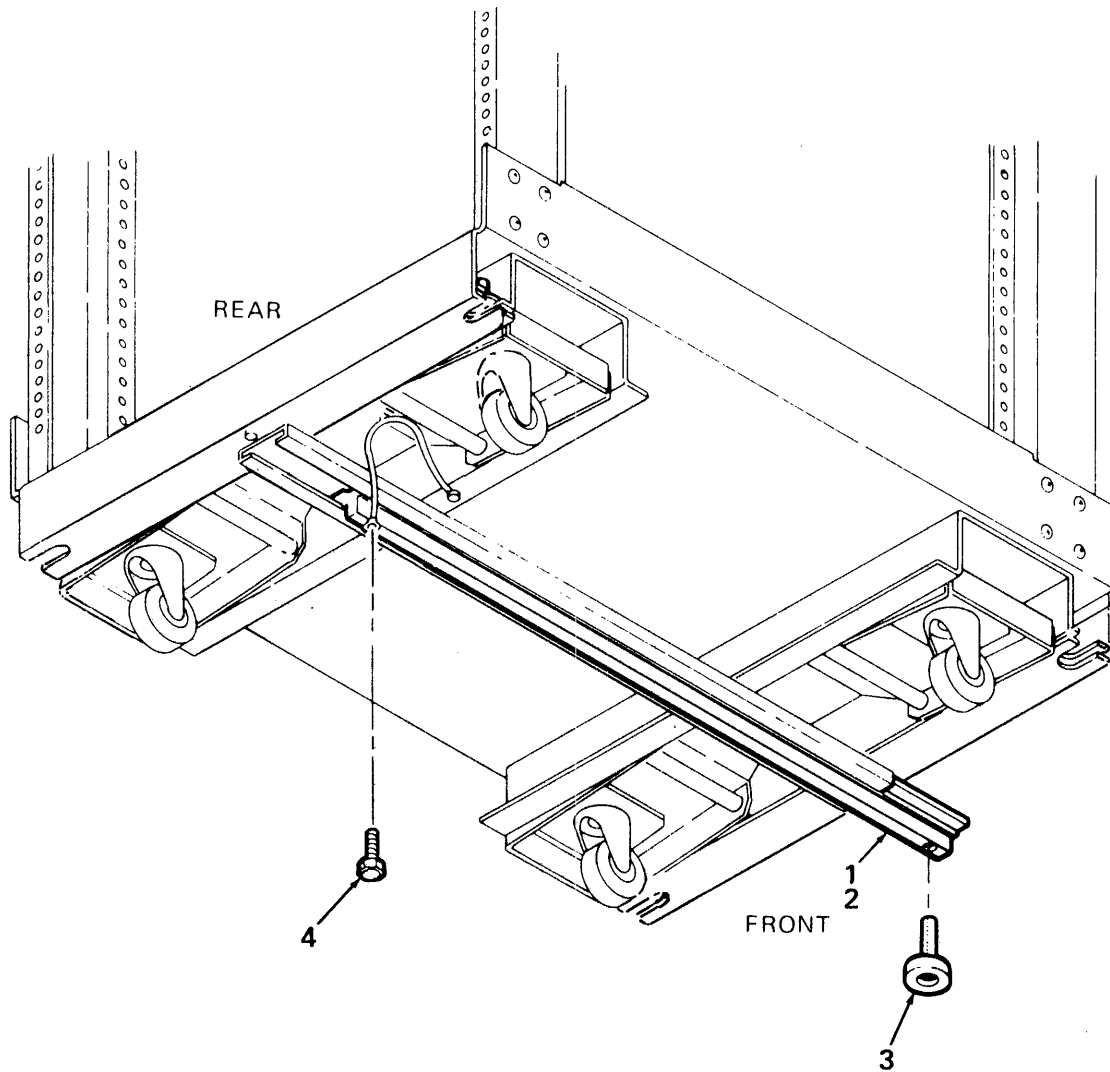


Figure 16. Motor Assembly

R80-10

| FIG. & ITEM NO. | DESCRIPTION | DEC PART NO. | ECO CUT-IN 70-16723 00003 | USED ON CODE | REF FIG NO. |
|-----------------|--|--|---------------------------------|------------------------------|-------------|
| 16-- | MOTOR ASSEMBLY 120V 60 Hz <i>New MTR/Brake</i> MOTOR ASSEMBLY 240V 50 Hz | 70-16723- 00 ⁰² 70-21173-01 70-16723-01 | | AEJN CGLO BFKP DHMR | 7 7 |
| 1 | *Motor, Cap Start 120V 60 Hz | 12-16578-00 | | AEJN CGLO | |
| | *Motor, Cap Start 240V 50 Hz | 12-16578-02 | | BFKP DHMR | |
| 2 | *Brake, Electromagnetic | 12-16577-00 | | | |
| 3 | *Screw, Phl Pan Hd No. 8-32 x 3/8 | 90-06037-01 | | | |
| 4 | *Washer, Lock No. 8 | 90-06690-00 | | | |
| 5 | *Motor Mount Weldment | 70-16232-00 | | | |
| 6 | *Washer, Flat | 90-06666-00 | | | |
| 7 | *Bearing, Bronze | 12-16880-00 | | | |
| 8 | *Ring, Retaining | 90-09890-00 | | | |
| 9 | *Slide, Tension Adjust | 74-22826-00 | | | |
| 10 | *Screw, Hex Hd No. 10-32 x 1-1/4 | 90-06235-09 | | | |
| 11 | *Nut, Kep No. 10-32 x 3/8 | 90-06565-00 | | | |
| 12 | *Screw, Phl Pan Hd No. 8-32 x 9/16 | 90-07854-01 | | | |
| 13 | *Spacer, Sleeve | 12-17229-00 | | | |
| 14 | *Washer, Spring | 90-10203-00 | | | |
| 15 | *Washer, Flat (Nylon) | 90-00003-01 | | | |
| 16 | *Pulley, Motor 120V 60 Hz | 74-21455-00 | | AEJN CGLO | |
| | *Pulley, Motor 240V 50 Hz | 74-21455-01 | | BFKP DHMR | |
| 17 | *Clamp, Spindle Pulley | 12-16830-01 | | | |
| 18 | *Cable Tie | 90-07031-00 | | | |
| | Label (Not Shown) | | | | |
| | *Label, "P708 Motor Brake" | 36-16923-15 | | | |

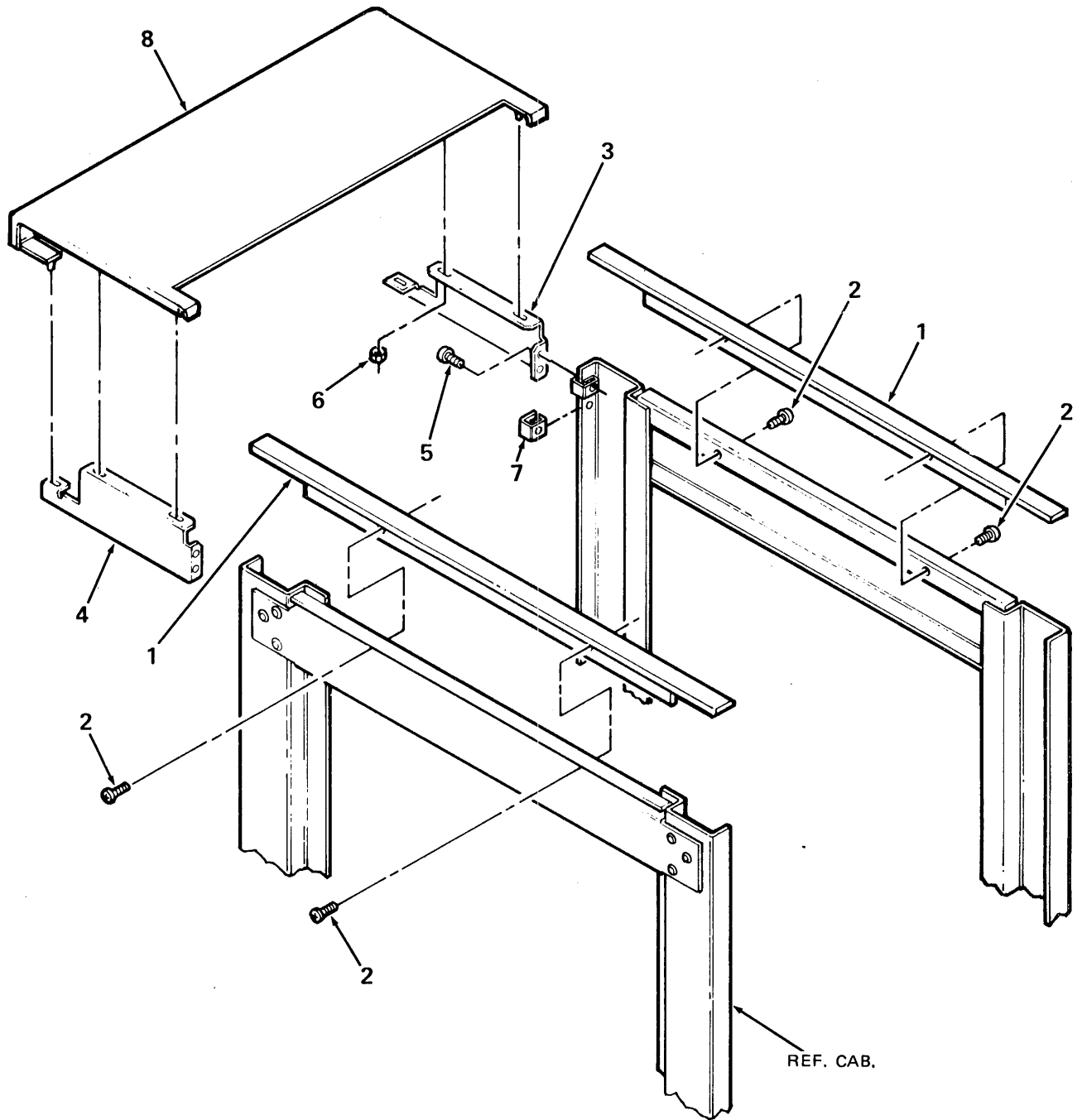
| FIG. & ITEM NO. | DESCRIPTION | DEC PART NO. | ECO CUT-IN H9544-H 00003 | USED ON CODE | REF FIG NO. |
|-----------------|--------------------------|--------------|--------------------------|--------------|-------------|
| 17- | CABINET ACCESSORY KIT | H9544-HA | | | 5 |
| 1 | *STABILIZER LEG ASSEMBLY | H9544-HC | | | |
| 2 | **Foot, Extension | 74-22204-00 | | | |
| 3 | **Leveler, Foot | 12-16373-02 | | | |
| 4 | **Screw, Hex Hd | 74-24417-00 | | | |



RA60-10

Figure 17. Cabinet Accessory Kit





RA81-18

Figure 18. RA81 Trim Assembly

| FIG. & ITEM NO. | DESCRIPTION | DEC PART NO. | ECO CUT-IN H9544-C 00007 | USED ON CODE | REF FIG NO. |
|-----------------|---|--------------|--------------------------------|--------------|-------------|
| 18- | RA81 TRIM ASSEMBLY | H9544-CF | | | 5 |
| 1 | *Trim, Top | 12-16400-00 | | | |
| 2 | *Screw, Sems Phl Pan Hd No. 8-32 x 1/2 | 90-09545-01 | | | |
| 3 | *Bracket, Rear Vent R.H. | 74-27786-01 | | | |
| 4 | *Bracket, Rear Vent L.H. | 74-27786-02 | | | |
| 5 | *Screw, Sems Phl Truss Hd No. 10-32 x 1/2 | 90-09700-00 | | | |
| 6 | *Retainer,U-Nut No.10 x 32 | 90-07786-00 | | | |
| 7 | *Nut, Bar | 74-19262-00 | | | |
| 8 | *Vent, Rear | 74-27520-01 | | | |

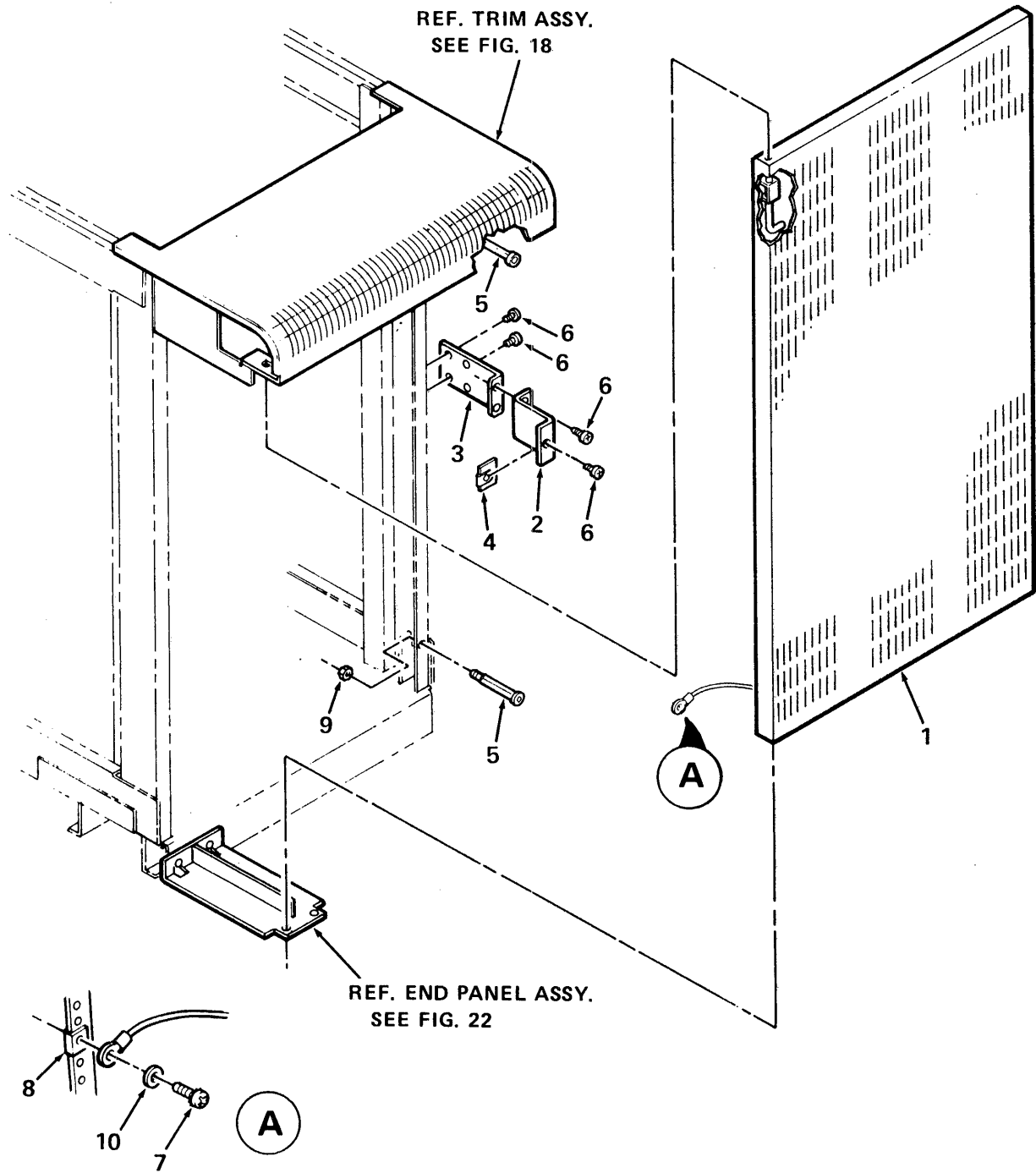
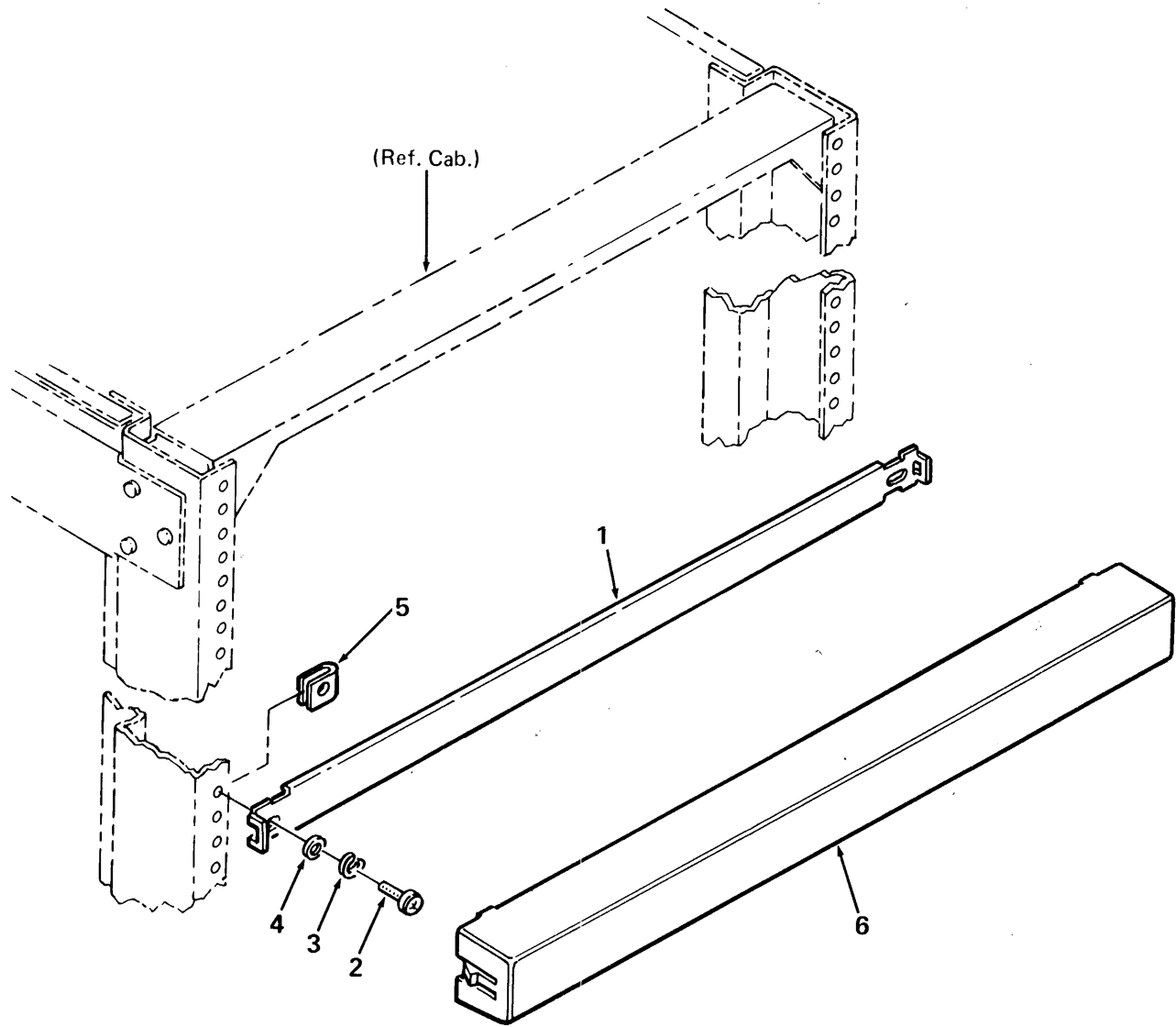


Figure 19. Shielded Rear Door Assembly

RA81-19

| FIG. & ITEM NO. | DESCRIPTION | DEC PART NO. | H ECO CUT-IN H9544-B 00006 | USED ON CODE | REF FIG NO. |
|-----------------|---|--------------|-------------------------------------|--------------|-------------|
| 19-- | SHIELDED REAR DOOR ASSEMBLY | H9544-BM | | | 5 |
| 1 | *Rear Door Assembly (40") | 70-16533-00 | | | |
| 2 | *Bracket, Door Lock | 74-22222-00 | | | |
| 3 | *Bracket, Door Lock Mounting | 74-26256-01 | | | |
| 4 | *Spring, Receptacle Fastener | 12-12972-02 | | | |
| 5 | *Stop, Rear Door | 70-19088-01 | | | |
| 6 | *Screw, Sems Phi Truss Hd No. 10-32 x 1/2 | 90-09700-00 | | | |
| 7 | *Screw, Sems Slotted Hex Hd No. 10-32 x 1/2 | 90-10156-00 | | | |
| 8 | *Retainer, U-Nut No. 10-32 | 90-07786-00 | | | |
| 9 | *Nut, Kep No. 10-32 | 90-06565-00 | | | |
| 10 | *Washer, Flat | 90-06664-00 | | | |

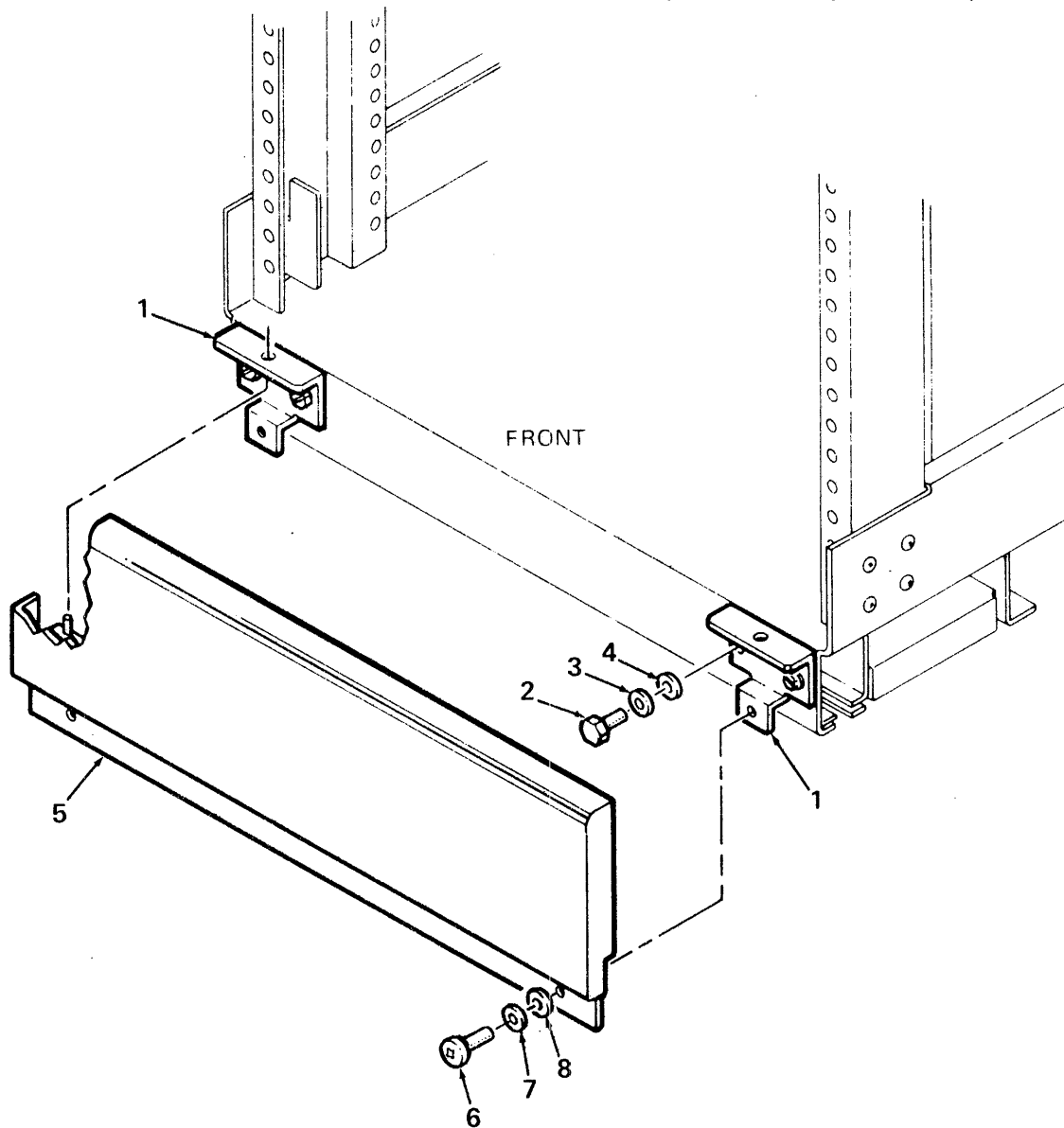
| FIG. & ITEM NO. | DESCRIPTION | DEC PART NO. | ECO CUT-IN H9544-D 00005 | USED ON CODE | REF FIG NO. |
|-----------------|------------------------------------|--------------|--------------------------|--------------|-------------|
| 20- | BLANK BEZEL ASSEMBLY | H9544-DA | | | 5 |
| 1 | *Backplate, 1-3/4" W/Cutout | 74-24369-00 | | | |
| 2 | *Screw, Phi Pan Hd No. 10-32 x 5/8 | 90-06074-01 | | | |
| 3 | *Washer, Lock No. 10 | 90-07906-00 | | | |
| 4 | *Washer, Flat | 90-06664-00 | | | |
| 5 | *Retainer, "U"-Nut No. 10-32 | 90-07786-00 | | | |
| 6 | *Bezel, Plastic Molded | 12-17098-00 | | | |



RA80-20

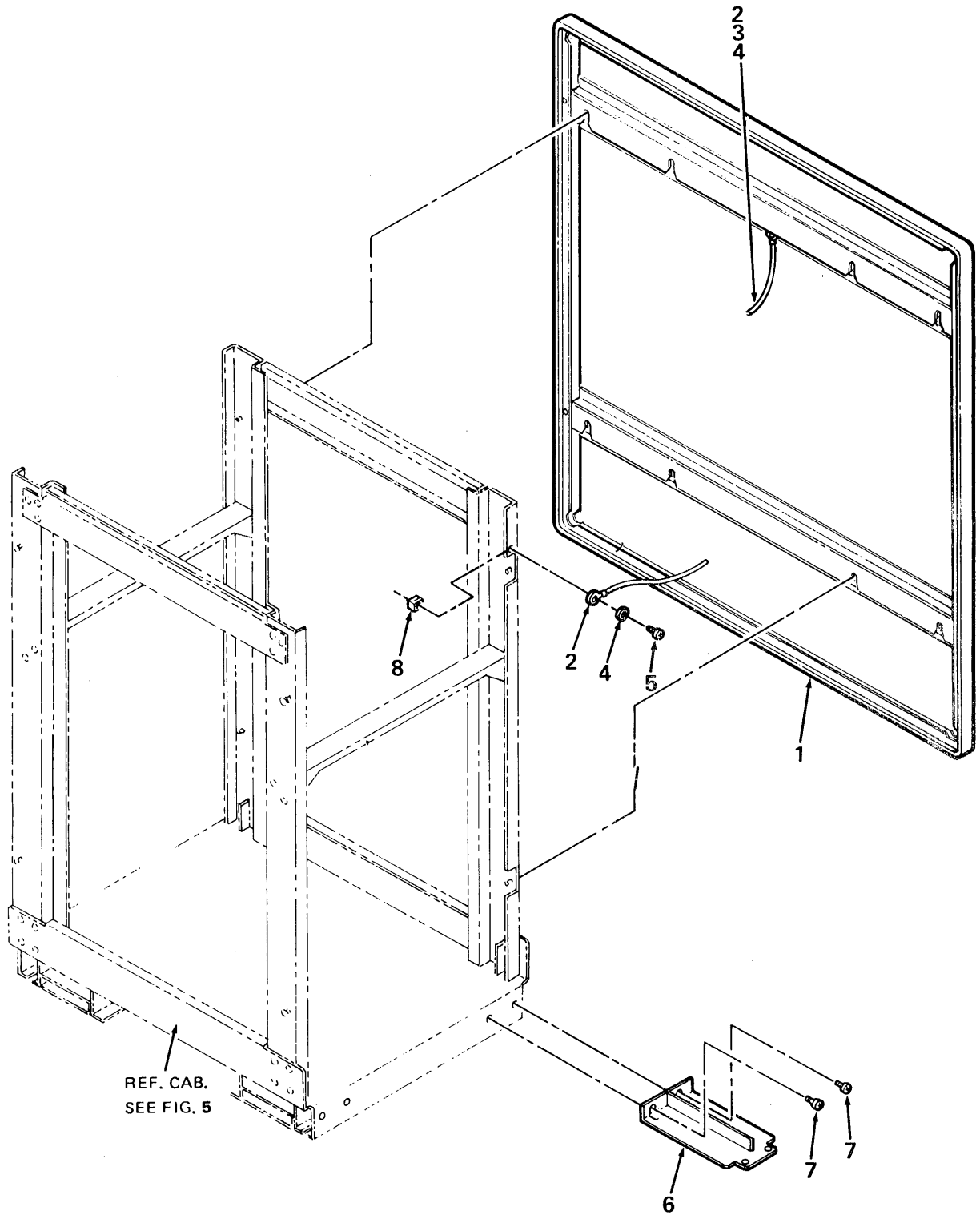
Figure 20. Blank Bezel Assembly

| FIG. & ITEM NO. | DESCRIPTION | DEC PART NO. | ECO CUT-IN H9544-B 00005 | USED ON CODE | REF FIG NO. |
|-----------------|------------------------------------|--------------|--------------------------|--------------|-------------|
| 21- | BOTTOM COVER ASSEMBLY | H9544-DB | | | 5 |
| 1 | *Bracket, Retaining Trim | 74-21903-00 | | | |
| 2 | *Screw, Hex Hd No. 1/4-20 x 3/4 | 90-06243-09 | | | |
| 3 | *Washer, Lock No. 1/4 | 90-07797-00 | | | |
| 4 | *Washer, Flat | 90-06676-00 | | | |
| 5 | *Trim Assembly | 70-16407-00 | | | |
| 6 | *Screw, Phi Pan Hd No. 10-32 x 5/8 | 90-06074-01 | | | |
| 7 | *Washer, Lock No. 10 | 90-07906-00 | | | |
| 8 | *Washer, Flat | 90-06664-00 | | | |



RA80-22

Figure 21. Bottom Cover Assembly



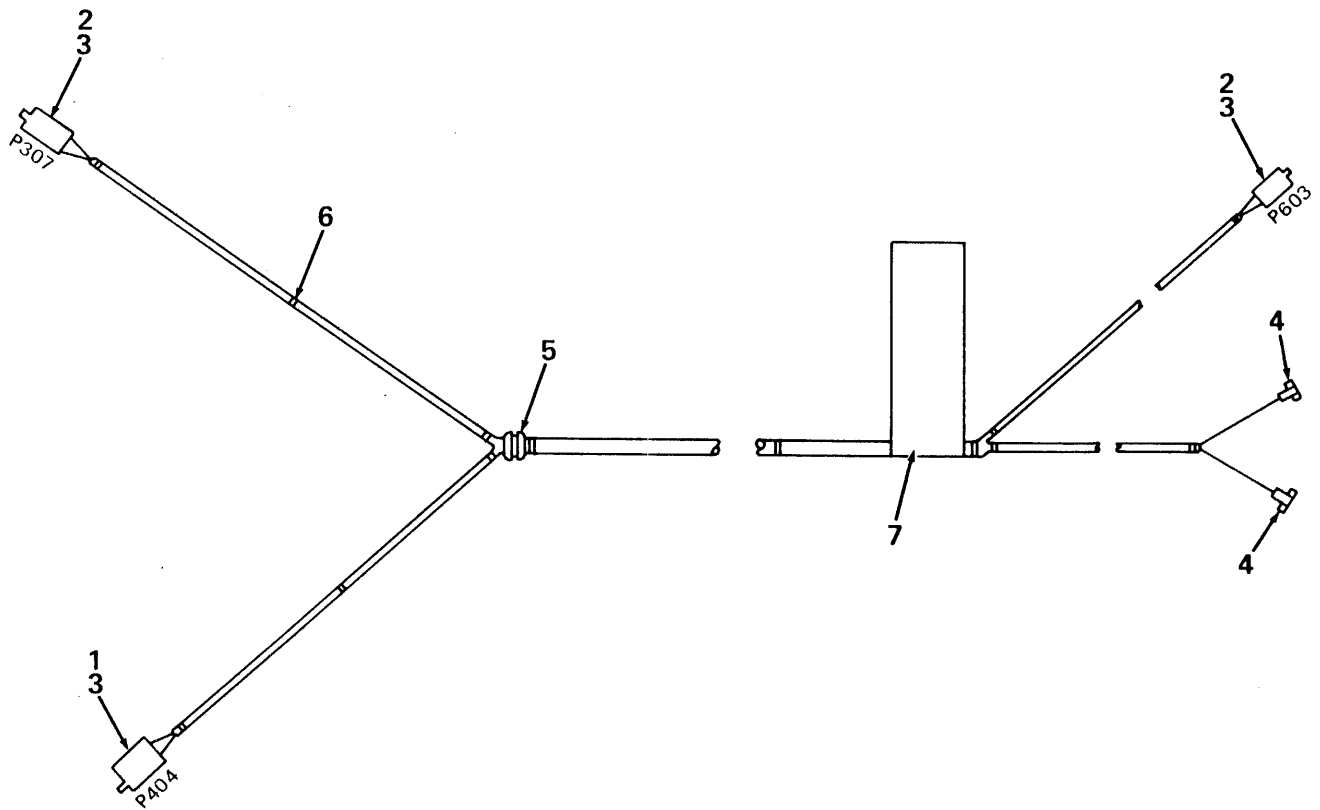
REF. CAB.
SEE FIG. 5

RA60-15

Figure 22. End Panel Assembly

| FIG. & ITEM NO. | DESCRIPTION | DEC PART NO. | ECO CUT-IN H9544-A 00005 | USED ON CODE | REF FIG NO. |
|-----------------|--|--------------|--------------------------------|--------------|-------------|
| 22- | END PANEL ASSEMBLY (W/Lock Bracket) | H9544-AG | | | 5 |
| 1 | *END PANEL ASSEMBLY (40") | 70-19083-01 | | | |
| 2 | **Ground Strap | 12-13756-20 | | | |
| 3 | **Screw, Sems Slotted Plain Hd No. 10-32 x 3/8 | 90-00049-38 | | | |
| 4 | **Washer, Flat | 90-06664-00 | | | |
| 5 | *Screw, Sems Slotted Hex Hd No. 10-32 x 1/2 | 90-10156-00 | | | |
| 6 | *Bracket, Door Hinge | 70-19076-06 | | | |
| 7 | *Screw, Sems Slotted Hex Hd No. 1/4-20 x 3/4 | 90-09988-14 | | | |
| 8 | *Nut, U-Nut Retainer No. 10-32 | 90-07786-00 | | | |

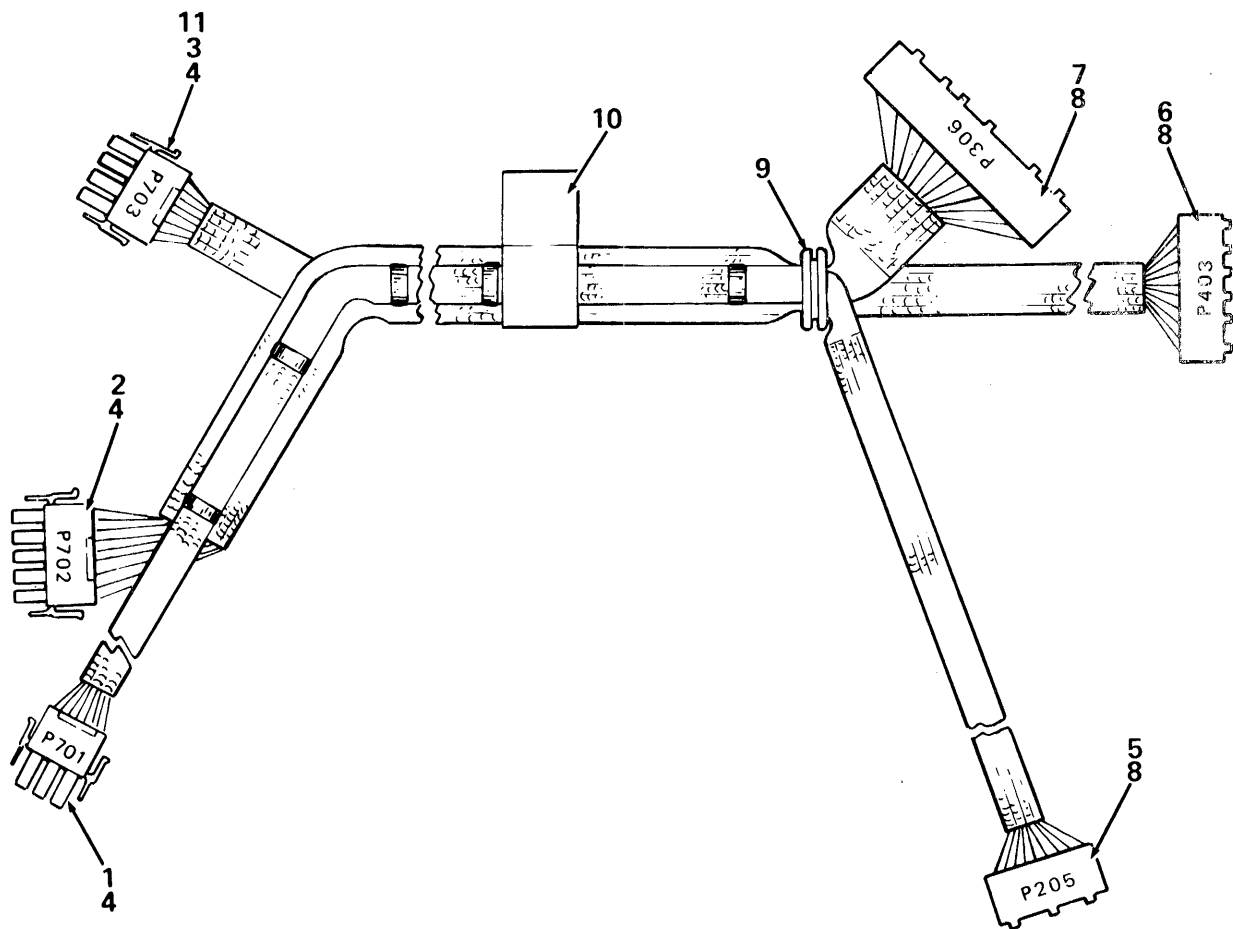
| FIG. & ITEM NO. | DESCRIPTION | DEC PART NO. | ECO CUT-IN R80 00004 | USED ON CODE | REF FIG NO. |
|-----------------|---|--------------|----------------------|--------------|-------------|
| 23- | BELT TENSION SWITCH HARNESS ASSEMBLY | 70-16980-00 | | | 7 |
| 1 | *Connector, (P404) Pin Housing 3 Pin | 12-12620-04 | | | |
| 2 | *Connector, (P307, P603) Pin Housing 2 Pin | 12-12620-03 | | | |
| 3 | *Terminal, (P404, P307, P603) Pin Contact | 12-12203-01 | | | |
| 4 | *Terminal, Receptacle Contact (Right Angle) | 12-13546-00 | | | |
| 5 | *Grommet | 90-07015-00 | | | |
| 6 | *Cable Tie | 90-07031-00 | | | |
| 7 | *Label, Plain | 36-15710-00 | | | |



R80-14

Figure 23. Belt Tension Switch Harness Assembly

| FIG. & ITEM NO. | DESCRIPTION | DEC PART NO. | ECO CUT-IN 70-19062 00002 | USED ON CODE | REF FIG NO. |
|-----------------|---|--------------|---------------------------|--------------|-------------|
| 24- | DC LOGIC POWER HARNESS ASSEMBLY | 70-18331-01 | | | 8 |
| 1 | *Connector, (P701) Universal (Socket Housing) 9 Pin Mate-N-Lok | 12-12167-04 | | | |
| 2 | *Connector, (P702) Universal (Socket Housing) 12 Pin Mate-N-Lok | 12-12167-03 | | | |
| 3 | *Connector, (P703) Universal (Socket Housing) 15 Pin Mate-N-Lok | 12-12167-10 | | | |
| 4 | *Terminal, (P701, P702, P703) Socket Contact | 12-12170-00 | | | |
| 5 | *Connector, (P205) (Pin Housing) 9-Pin | 12-12620-08 | | | |
| 6 | *Connector, (P403) (Pin Housing) 12 Pin | 12-12620-01 | | | |
| 7 | *Connector, (P306) (Pin Housing) 18 Pin | 12-12620-10 | | | |
| 8 | *Terminal, (P205, P403, P306) Pin Contact | 12-12203-01 | | | |
| 9 | *Grommet | 90-07018-00 | | | |
| 10 | *Label, Plain | 90-15710-00 | | | |
| 11 | *Terminal, (P703) Socket Contact | 12-12169-00 | | | |

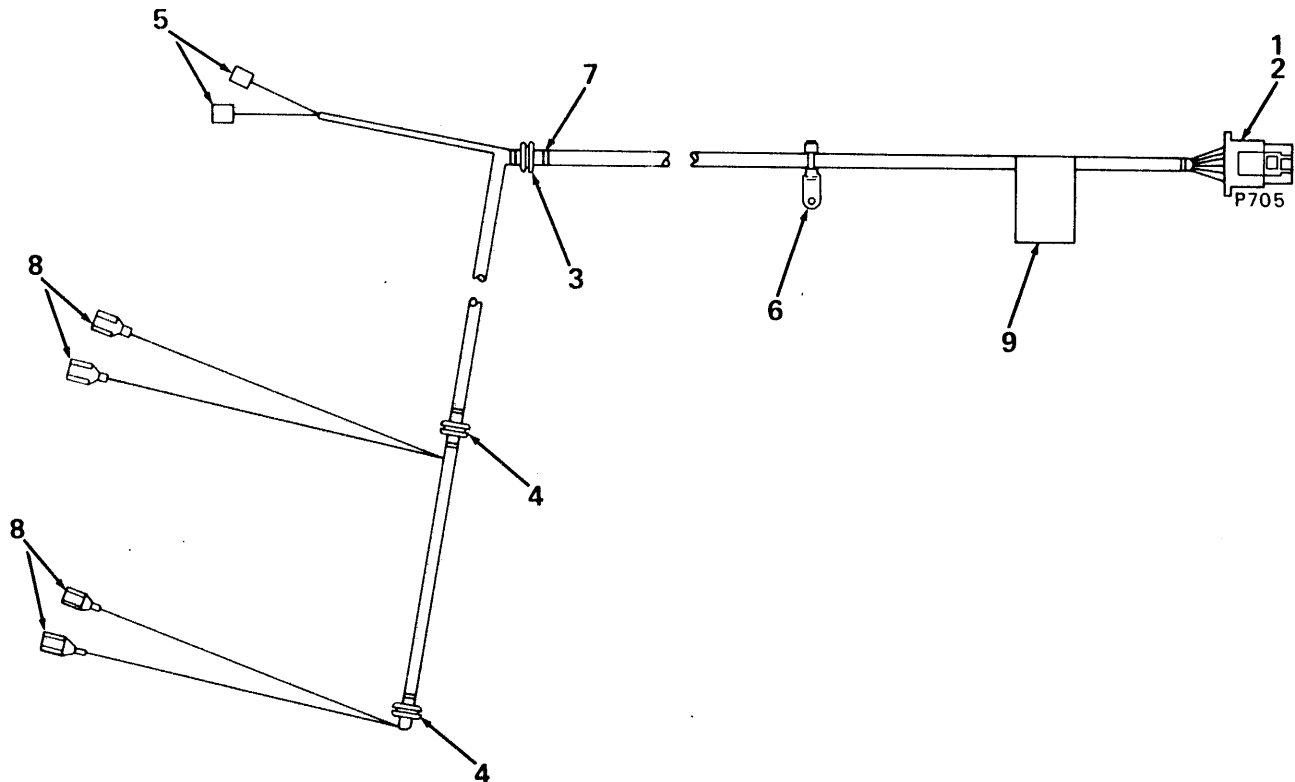


R80-15

Figure 24. D.C. Logic Power Harness Assembly

| FIG. & ITEM NO. | DESCRIPTION | DEC PART NO. | ECO CUT-IN 70-16773 00005 | USED ON CODE | REF FIG NO. |
|-----------------|--|--------------|---------------------------------|--------------|-------------|
| 25- | A.C. LOGIC POWER HARNESS ASSEMBLY | 70-16733-00 | | | 8 |
| 1 | *Connector, (P705) Universal (Socket Housing) 6 Pin Mate-N-Lok | 12-12167-06 | | | |
| 2 | *Terminal, (P705) Socket Contact | 12-12169-00 | | | |
| 3 | *Grommet, Rubber | 90-07015-00 | | | |
| 4 | *Grommet, Rubber | 90-07013-00 | | | |
| 5 | *Terminal, Flag | 90-06998-01 | | | |
| 6 | *Cable Tie | 90-07033-00 | | | |
| 7 | *Cable Tie | 90-07031-00 | | | |
| 8 | *Terminal, Quick Connect (Female) | 90-09106-04 | | | |
| 9 | *Label, "Cable Identification" | 36-16073-00 | | | |

digital



R80-13

Figure 25. A.C. Logic Power Harness Assembly

**ILLUSTRATED PARTS BREAKDOWN
COMMENT SHEET**

Any and all comments and suggestions for correcting errors and/or additional information to improve this manual will be reviewed and researched for possible use when this manual is revised and/or reprinted. Enter your comments and suggestions in the form provided below and return to Technical Documentation.

MODEL RA81 DISK DRIVE

PUBLICATION NO. EK-0RA81-IP-001

FIGURE NO. _____ ITEM NO. _____
CHANGE FROM _____
CHANGE TO _____

FIGURE NO. _____ ITEM NO. _____
CHANGE FROM _____
CHANGE TO _____

FIGURE NO. _____ ITEM NO. _____
CHANGE FROM _____
CHANGE TO _____

FIGURE NO. _____ ITEM NO. _____
CHANGE FROM _____
CHANGE TO _____

FIGURE NO. _____ ITEM NO. _____
CHANGE FROM _____
CHANGE TO _____

FIGURE NO. _____ ITEM NO. _____
CHANGE FROM _____
CHANGE TO _____

ADDITIONAL COMMENT(S)

Please describe your position. _____

Name _____ Organization _____

Street _____ Department _____

City _____ State _____ Zip or Country _____

-Fold Here-----

Do Not Tear - Fold Here and Staple -----

digital



No Postage
Necessary
if Mailed in the
United States

BUSINESS REPLY MAIL
FIRST CLASS PERMIT NO. 33 MAYNARD, MA.

POSTAGE WILL BE PAID BY ADDRESSEE

**Digital Equipment Corporation
Educational Services
129 Parker Street, PK03-2/H31
Maynard, MA 01754**

